

Mercury Senior sign family

Spec sheets by application and sign type



Room ID

1.

- Room ID Landscape | 1.0 |
- Room ID Portrait | 1.1 |
- Room ID In Use slider | 1.2 |
- Room ID with pull tabs | 1.3 |
- Cubicle | 1.4 |
- Window panel | 1.5 |
- Room ID panel | 1.6 |



Desktop

2.

- Desktop Landscape | 2.0 |
- Desktop Portrait | 2.1 |
- Desktop dou sided | 2.1 |



Projecting

3.

- Projecting sign | 3.0 |
- Attached (Landscape)
- Projecting sign | 3.1 |
- Distanced (Portrait)
- Projecting sign | 3.2 |
- Distanced (Landscape)
- Projecting Panel | 3.3 |
- Attached (Portrait)
- Projecting Panel | 3.4 |
- Distanced (Portrait)
- Projecting Sign | 3.5 |
- Distanced (Portrait)



Directory

4.

- Directional (Landscape) | 4.0 |
- Directional (Portrait) | 4.1 |
- Directory | 4.2 |
- w/plastic panels
- Directory | 4.3 |
- multi extrusions



Suspended directional

5.

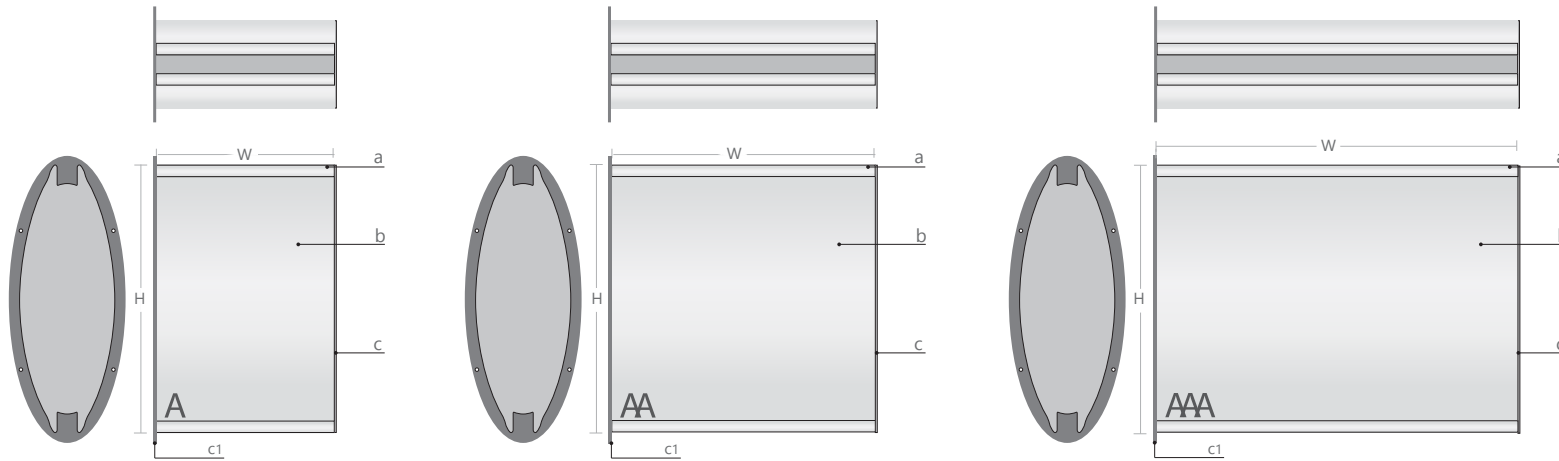
- Suspended directional | 5.0 |
- (Landscape)
- Suspended directional | 5.1 |
- (Portrait)
- Suspended directional | 5.2 |
- leg bracket (Landscape)



Stand

6.

- Base mount stand | 6.0 |
- Post (2 pole) | 6.1 |
- Post (1 pole) | 6.2 |
- Trio | 6.3 |



STANDARD OPTIONS:

Mercury Senior Sign Family
Projecting Sign Attached

Mirtec Navigator Application B,C
Flag Mount Attached Flag mounted,
Distance Flag mounted,

NOTES:

a
EXTRUSION finish/color options:
are made from high quality aluminum
6063 with an anodized or oven cured
coating.

1. Clear anodized aluminum

b
INSERT OPTIONS:

1. Acrylic cover w/ subsurface silkscreen and backspray.
2. Digital printing into anodized aluminum by Primodize ®
3. Painted acrylic cover w/ vinyl graphics
4. Acrylic cover w/digital print

c
END CAPS finish/color options:

1. Clear anodized aluminum.
2. Aluminum end cap painted standard or custom colors.
3. Gray or black ABS plastic.

c1
MOUNTING BRACKET finish/color options:

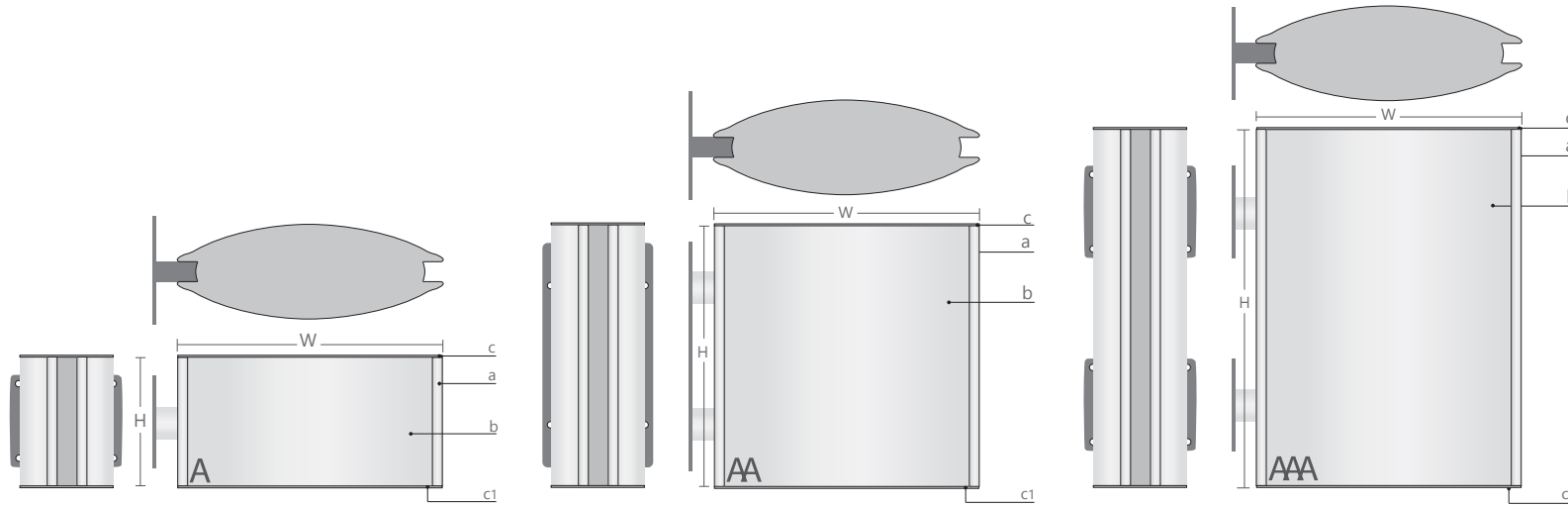
1. Mirtec clear anodized aluminum
2. Painted aluminum cap standard

Standard sizes	No.	Part No.	A		AA		AAA	
			H x W		H x W		H x W	
			mm	inch	mm	inch	mm	inch
	1	Mir1012	300 x 203	11.8 x 8	300 x 305	11.8 x 12	300 x 610	11.8 x 24
	2	Mir1013	400 x 305	15.7 x 12	400 x 406	15.7 x 16	400 x 914	15.7 x 36
	3	Mir1014	500 x 406	19.6 x 16	500 x 508	19.6 x 20	500 x 1219	19.6 x 48
	4	Mir1015	600 x 508	23.6 x 20	600 x 610	23.6 x 24	600 x 1524	23.6 x 60

d
ACCENT BAR
(available page no.*)
finish/color options:

1. Standard Mirtec anodized colors
2. Can be painted or powder coated





— STANDARD OPTIONS: —

Mercury Senior Sign Family Projecting Sign Distanced

Mirtec Navigator Application B,C
Flag Mount Attached Flag mounted,
Distance Flag mounted,

NOTES:

a
EXTRUSION finish/color options:
are made from high quality aluminum
6063 with an anodized or oven cured
coating.

1. Clear anodized aluminum

b
INSERT OPTIONS:

1. Acrylic cover w/ subsurface silkscreen and backspray.
2. Digital printing into anodized aluminum by Primodize ®
3. Painted acrylic cover w/ vinyl graphics
4. Acrylic cover w/digital print

c
END CAPS finish/color options:
1. Clear anodized aluminum.
2. Aluminum end cap painted standard or custom colors.
3. Gray or black ABS plastic.

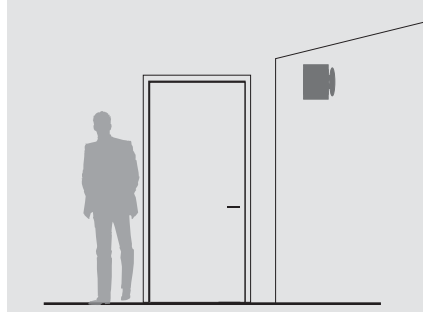
c1
MOUNTING BRACKET finish/color options:
1. Mirtec clear anodized aluminum
2. Painted aluminum cap standard

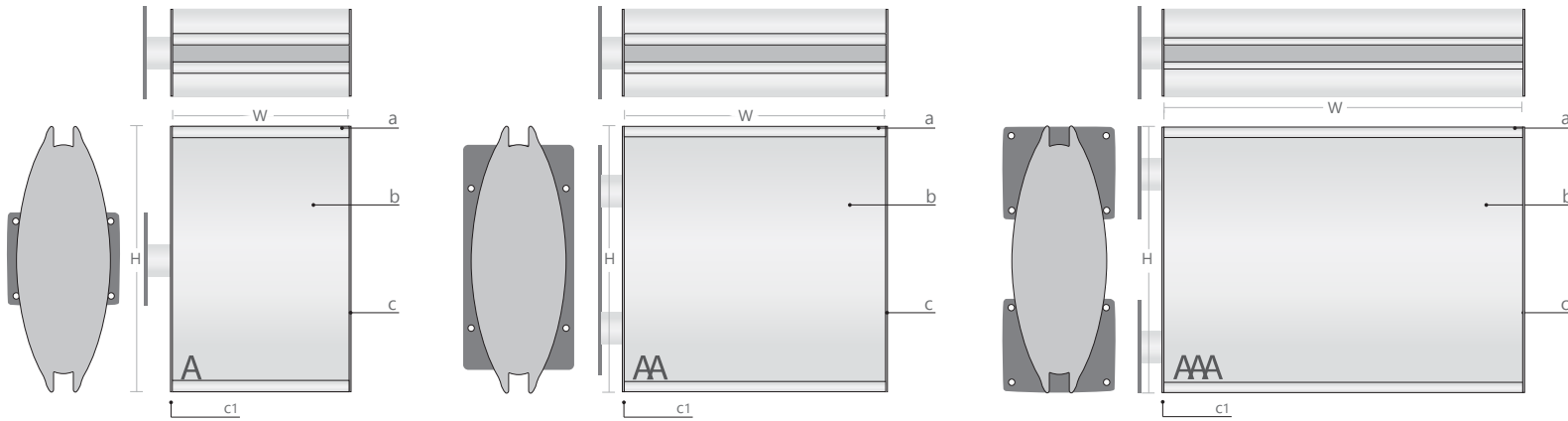
Standard sizes		A		AA		AAA	
No.	Part No.	H x W		H x W		H x W	
		mm	inch	mm	inch	mm	inch
1	Mir1012	203 x 300	8 x 11.8	305 x 300	8 x 11.8	610 x 300	24 x 11.8
2	Mir1013	305 x 400	12 x 15.7	406 x 400	16 x 15.7	914 x 400	36 x 15.7
3	Mir1014	406 x 500	16 x 19.6	508 x 500	20 x 19.6	1219 x 500	48 x 19.6
4	Mir1015	508 x 600	20 x 23.6	610 x 600	24 x 23.6	1524 x 600	60 x 23.6

d
ACCENT BAR
(available page no.*)
finish/color options:
1. Standard Mirtec anodized colors
2. Can be painted or powder coated



3.1





Mercury Senior Sign Family Projecting Sign Distanced

Mirtec Navigator Application B,C
Flag Mount Attached Flag mounted,
Distance Flag mounted,

NOTES:

a
EXTRUSION finish/color options:
are made from high quality aluminum
6063 with an anodized or oven cured
coating
1. Clear anodized aluminum

b
INSERT OPTIONS:
1. 1. .040 aluminum backed
photopolymer w/ raised
symbols/copy and ADA compliant
braille. Tip symbols/copy to contrast
background. braille to remain
background color
2. Digital printing onto anodized
aluminum by Primodize ®

c
END CAPS finish/color options:
1. Clear anodized aluminum
2. Can be painted or powder coated
3. Gray or black ABS plastic

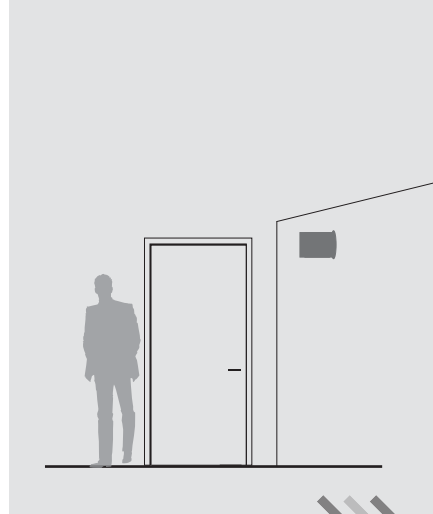
c1
MOUNTING BRACKET
finish/color options:
1. Mirtec clear anodized aluminum
2. Painted aluminum cap standard

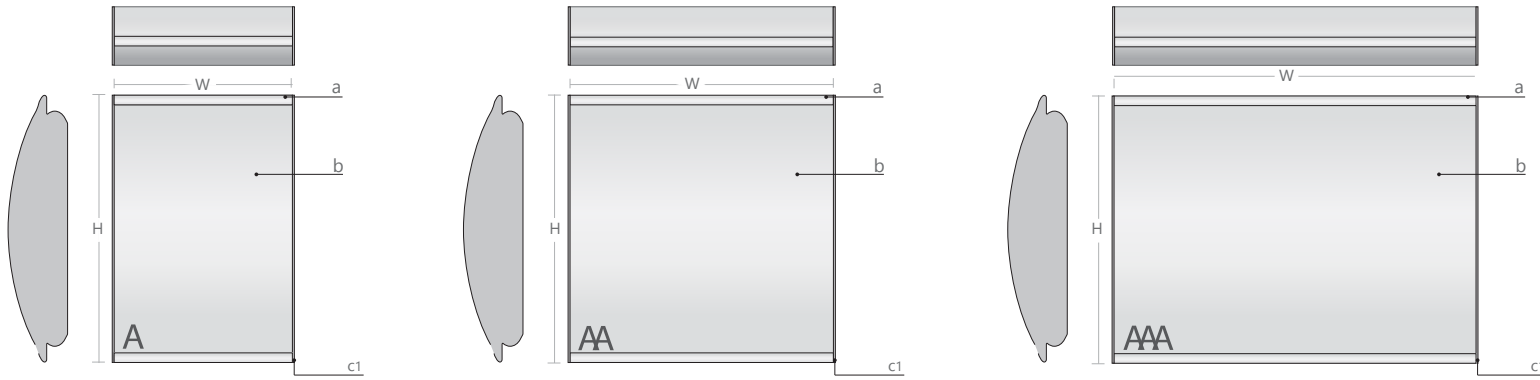
Standard sizes	No.	Part No.	A		AA		AAA	
			H x W		H x W		H x W	
			mm	inch	mm	inch	mm	inch
1	Mir1012	300 x 203	11.8 x 8	300 x 305	11.8 x 12	300 x 610	11.8 x 24	
2	Mir1013	400 x 305	15.7 x 12	400 x 406	15.7 x 16	400 x 914	15.7 x 36	
3	Mir1014	500 x 406	19.6 x 16	500 x 508	19.6 x 20	500 x 1219	19.6 x 48	
4	Mir1015	600 x 508	23.6 x 20	600 x 610	23.6 x 24	600 x 1524	23.6 x 60	

d
ACCENT BAR
(available page no.*)
finish/color options:
1. Standard Mirtec anodized
colors
2. Can be painted or powder
coated



3.2





STANDARD OPTIONS:

Standard sizes		A		AA		AAA	
No.	Part No.	H x W		H x W		H x W	
		mm	inch	mm	inch	mm	inch
1	Mir1004	300 x 203	11.8 x 8	300 x 305	11.8 x 12	300 x 508	11.8 x 20
2	Mir1005	400 x 305	15.7 x 12	400 x 406	15.7 x 16	400 x 610	15.7 x 24
3	Mir1006	500 x 406	19.6 x 16	500 x 508	19.6 x 20	500 x 762	19.6 x 30
4	Mir1007	600 x 508	23.6 x 20	600 x 610	23.6 x 24	600 x 864	23.6 x 34
5	Mir1008	700 x 610	27.5 x 24	700 x 711	27.5 x 28	700 x 914	27.5 x 36
6	Mir1009	800 x 711	31.4 x 28	800 x 813	31.4 x 32	800 x 1016	31.4 x 40
7	Mir1010	900 x 813	35.4 x 32	900 x 914	35.4 x 36	900 x 1219	35.4 x 48
8	Mir1011	1000 x 914	39.3 x 36	1000 x 1016	39.3 x 40	1000 x 1524	39.3 x 60

d
 ACCENT BAR
 (available page no.*)
 Finish/color Options:
 1. Standard Mirtec anodized Colors
 2. can be painted or powder coated



4.0

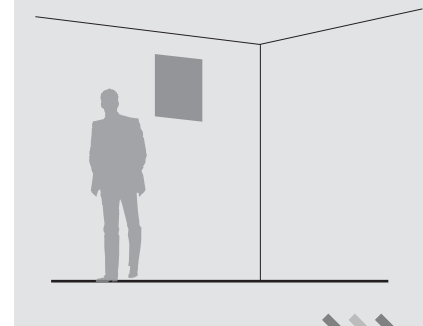
Mercury Senior Sign Family

Wall Mounted Directional

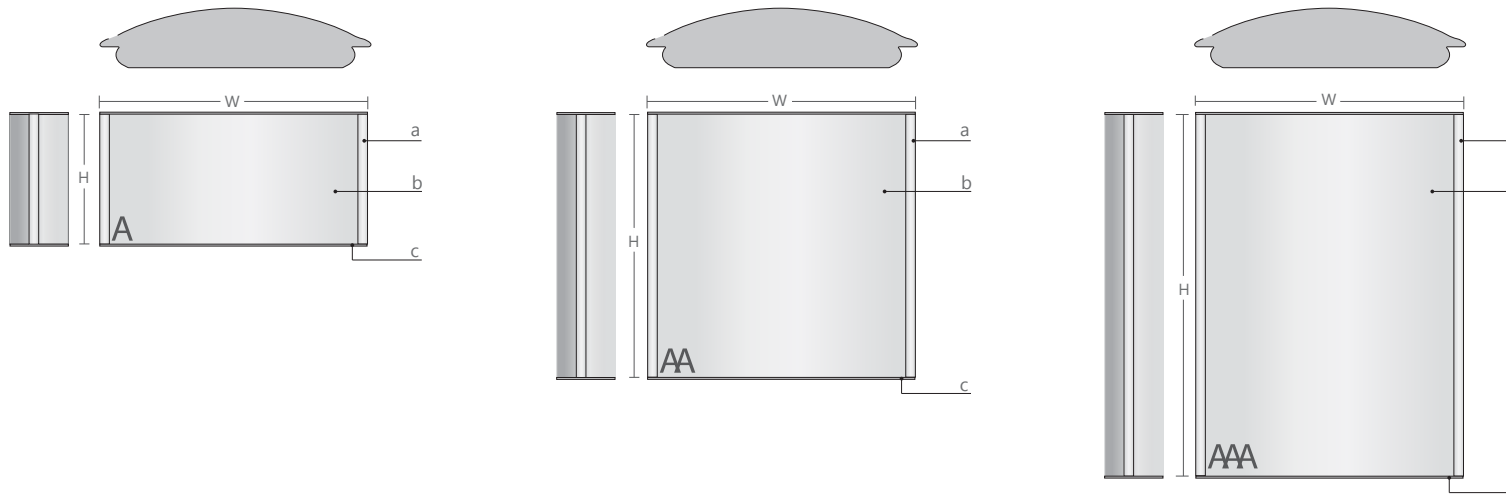
Mirtec Navigator Application B
 Emergency Evacuation, Map, Department ID,
 Regulatory Information

NOTES:

- a**
 EXTRUSION finish/color options:
 are made from high quality aluminum
 6063 with an anodized or oven cured
 coating
 1. Clear anodized aluminum
- b**
 INSERT OPTIONS:
 1. Graphic sign fronts:
 engraved, laminated, silk screened,
 Imprinted with braille or photo metal
 finished
 2. Applied vinyl on aluminum insert
 3. 1. .040 aluminum backed
 photopolymer w/ raised
 symbols/copy and ADA compliant
 braille. Tip symbols/copy to contrast
 background Braille to remain
 background color
 4. Acrylic cover w/ paper insert
 5. Digital printing onto anodized
 aluminum by Primodize ® or direct
 on clear cover
- PANELS
 1. Plastic divider black or silver with
 strips of clear cover
 2. Natural or anodized alum strips
- c**
 END CAPS finish/color options:
 1. Clear anodized aluminum
 2. Can be painted or powder coated
 3. Gray or black ABS plastic
 4. Clear anodized aluminum base



— PORTRAIT —



— STANDARD OPTIONS: —

Standard sizes	No.	Part No.	A		AA		AAA	
			H x W	H x W	H x W	H x W		
			mm	inch	mm	inch	mm	inch
	1	Mir1004	203 x 300	8 x 11.8	305 x 300	12 x 11.8	508 x 300	20 x 11.8
	2	Mir1005	305 x 400	12 x 15.7	406 x 400	16 x 15.7	610 x 400	24 x 15.7
	3	Mir1006	406 x 500	16 x 19.6	508 x 500	20 x 19.6	762 x 500	30 x 19.6
	4	Mir1007	508 x 600	20 x 23.6	610 x 600	24 x 23.6	864 x 600	34 x 23.6
	5	Mir1008	610 x 700	24 x 27.5	711 x 700	28 x 27.5	914 x 700	36 x 27.5
	6	Mir1009	711 x 800	28 x 31.4	813 x 800	32 x 31.4	1016 x 800	40 x 31.4
	7	Mir1010	813 x 900	32 x 35.4	914 x 900	36 x 35.4	1219 x 900	48 x 35.4
	8	Mir1011	914 x 1000	36 x 39.3	1016 x 1000	40 x 39.3	1524 x 1000	60 x 39.3

d
ACCENT BAR
 (available page no.*)
 finish/color options:
 1. Standard Mirtec anodized colors
 2. Can be painted or powder coated



4.1

Mercury Senior Sign Family

Directional

Mirtec Navigator Application B,C,D
 Multiple Panels

NOTES:

a

EXTRUSION finish/color options:
 are made from high quality aluminum 6063 with an anodized or oven cured coating

1. Clear anodized aluminum

b

INSERT OPTIONS:

1. Graphic sign fronts:
 engraved, laminated, silk screened, Imprinted with braille or photo metal finished
2. Applied vinyl on aluminum insert
3. 1. .040 aluminum backed photopolymer w/ raised symbols/copy and ADA compliant braille. Tip symbols/copy to contrast background braille to remain background color
4. Acrylic cover w/ paper insert
5. Digital printing onto anodized aluminum by Primodize® or direct on clear cover

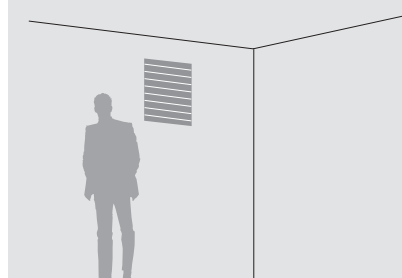
PANELS

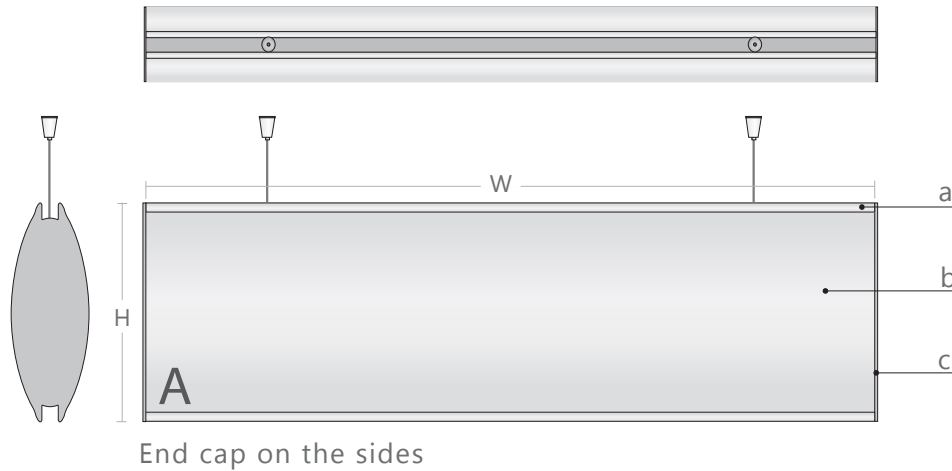
1. Natural or anodized alum strips

c

END CAPS finish/color options:

1. Clear anodized aluminum
2. Can be painted or powder coated
3. Gray or black ABS plastic
3. Clear anodized aluminum base





STANDARD OPTIONS:

Standard sizes		A		AA		AAA	
No.	Part No.	H x W		H x W		H x W	
		mm	inch	mm	inch	mm	inch
1	Mir1012	300 x 203	11.8 x 8	300 x 305	11.8 x 12	300 x 508	11.8 x 20
2	Mir1013	400 x 305	15.7 x 12	400 x 406	15.7 x 16	400 x 610	15.7 x 24
3	Mir1014	500 x 406	19.6 x 16	500 x 508	19.6 x 20	500 x 762	19.6 x 30
4	Mir1015	600 x 508	23.6 x 20	600 x 610	23.6 x 24	600 x 864	23.6 x 34
5	Mir1016	700 x 610	27.5 x 24	700 x 711	27.5 x 28	700 x 914	27.5 x 36
6	Mir1017	800 x 711	31.4 x 28	800 x 813	31.4 x 32	800 x 1016	31.4 x 40
7	Mir1018	900 x 813	35.4 x 32	900 x 914	35.4 x 36	900 x 1219	35.4 x 48
8	Mir1019	1000 x 914	39.3 x 36	1000 x 1016	39.3 x 40	1000 x 1524	39.3 x 60



5.0

Mercury Senior Sign Family Suspended Directional

Mirtec Navigator Application B
Suspended, Overhead

NOTES:

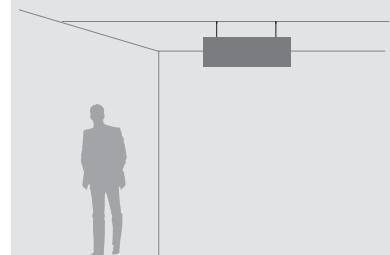
- a**
EXTRUSION finish/color options:
are made from high quality aluminum 6063 with an anodized or oven cured coating
1. clear anodized aluminum

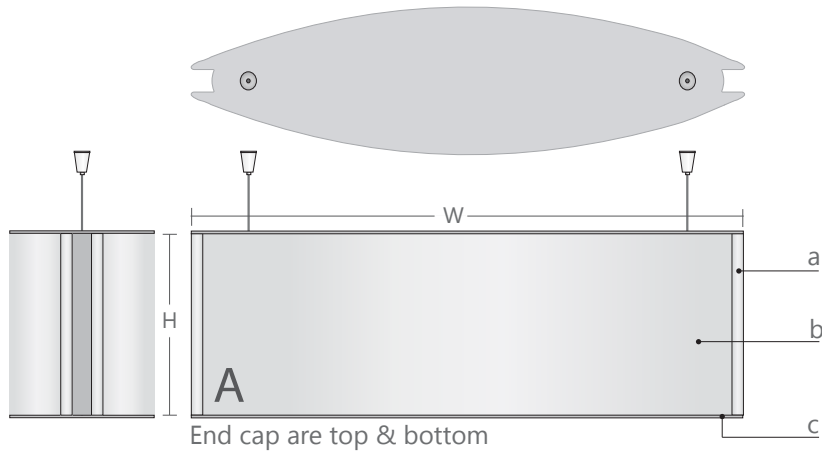
- b**
INSERT OPTIONS:
1. Graphic sign fronts:
engraved, laminated, silk screened,
Imprinted with braille or photo metal
finished
2. Applied vinyl on aluminum insert
3. 1. .040 aluminum backed
photopolymer w/ raised
symbols/copy and ADA compliant
braille. Tip symbols/copy to contrast
background Braille to remain
background color
4. Acrylic cover w/ paper insert
5. Digital printing onto anodized
aluminum by Primodize® or direct
on clear cover

- PANELS
1. Plastic divider black or silver with
strips of clear cover
2. Natural or anodized alum strips

- c**
END CAPS finish/color options:
1. Clear anodized aluminum
2. Can be painted or powder coated
3. Gray or black ABS plastic

- d**
ACCENT BAR (available page no.*)
finish/color options:
1. Standard Mirtec anodized colors
2. Can be painted or powder coated





— STANDARD OPTIONS: —

Mercury Senior Sign Family Suspended Directional

Mirtec Navigator Application B
Suspended, Overhead

NOTES:

- a**
EXTRUSION finish/color options:
are made from high quality aluminum
6063 with an anodized or oven cured
coating
1. clear anodized aluminum

- b**
INSERT OPTIONS:
1. Graphic sign fronts:
engraved, laminated, silk screened,
Imprinted with braille or photo metal
finished
2. Applied vinyl on aluminum insert
3. .040 aluminum backed
photopolymer w/ raised
symbols/copy and ADA compliant
braille. Tip symbols/copy to contrast
background Braille to remain
background color
4. Acrylic cover w/ paper insert
5. Digital printing onto anodized
aluminum by Primodize® or direct
on clear cover

- PANELS
1. Plastic divider black or silver with
strips of clear cover
2. Natural or anodized alum strips

- c**
END CAPS finish/color options:
1. Clear anodized aluminum
2. Can be painted or powder coated
3. Gray or black ABS plastic

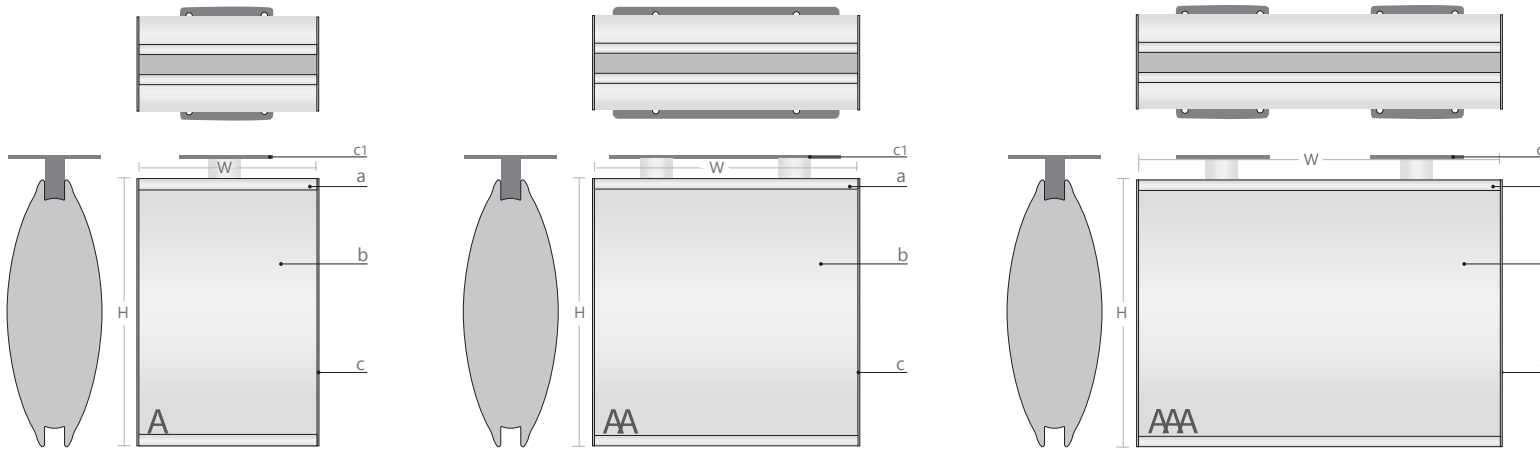
- d**
ACCENT BAR (available page no.*)
finish/color options:
1. Standard Mirtec anodized colors
2. Can be painted or powder coated



Standard sizes

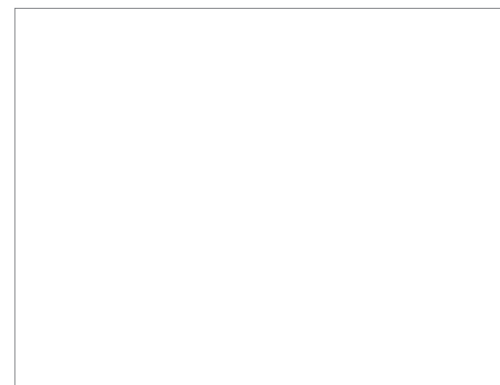
No.	Part No.	H x W	
		mm	inch
1	Mir1018	203 x 900	8 x 11.8
2	Mir1019	305 x 1000	12 x 15.7

LANDSCAPE



STANDARD OPTIONS:

Standard sizes		A		AA		AAA	
No.	Part No.	H x W		H x W		H x W	
		mm	inch	mm	inch	mm	inch
1	Mir1004	300 x 00	11.8 x 0	300 x 00	11.8 x 0	300 x 00	11.8 x 0
2	Mir1005	400 x 000	15.7 x 0	400 x 000	15.7 x 0	400 x 000	15.7 x 0
3	Mir1006	500 x 000	19.6 x 0	500 x 000	19.6 x 0	500 x 000	19.6 x 0
4	Mir1007	600 x 000	23.6 x 0	600 x 000	23.6 x 0	600 x 000	23.6 x 0
5	Mir1008	700 x 000	27.5 x 0	700 x 000	27.5 x 0	700 x 000	27.5 x 0
6	Mir1009	800x 000	31.4x 0	800x 000	31.4x 0	800x 000	31.4x 0
7	Mir1010	900 x 000	35.4 x 0	900 x 000	35.4 x 0	900 x 000	35.4 x 0
8	Mir1011	1000 x000	39.3 x0	1000 x000	39.3 x0	1000 x000	39.3 x0



5.2

Mercury Senior Sign Family
Suspended Directional

Mirtec Navigator Application B
Suspended, Overhead

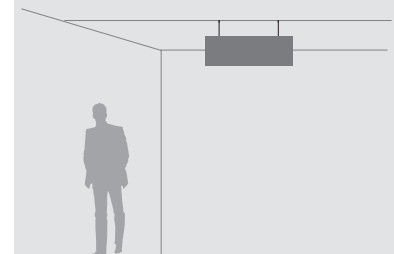
NOTES:

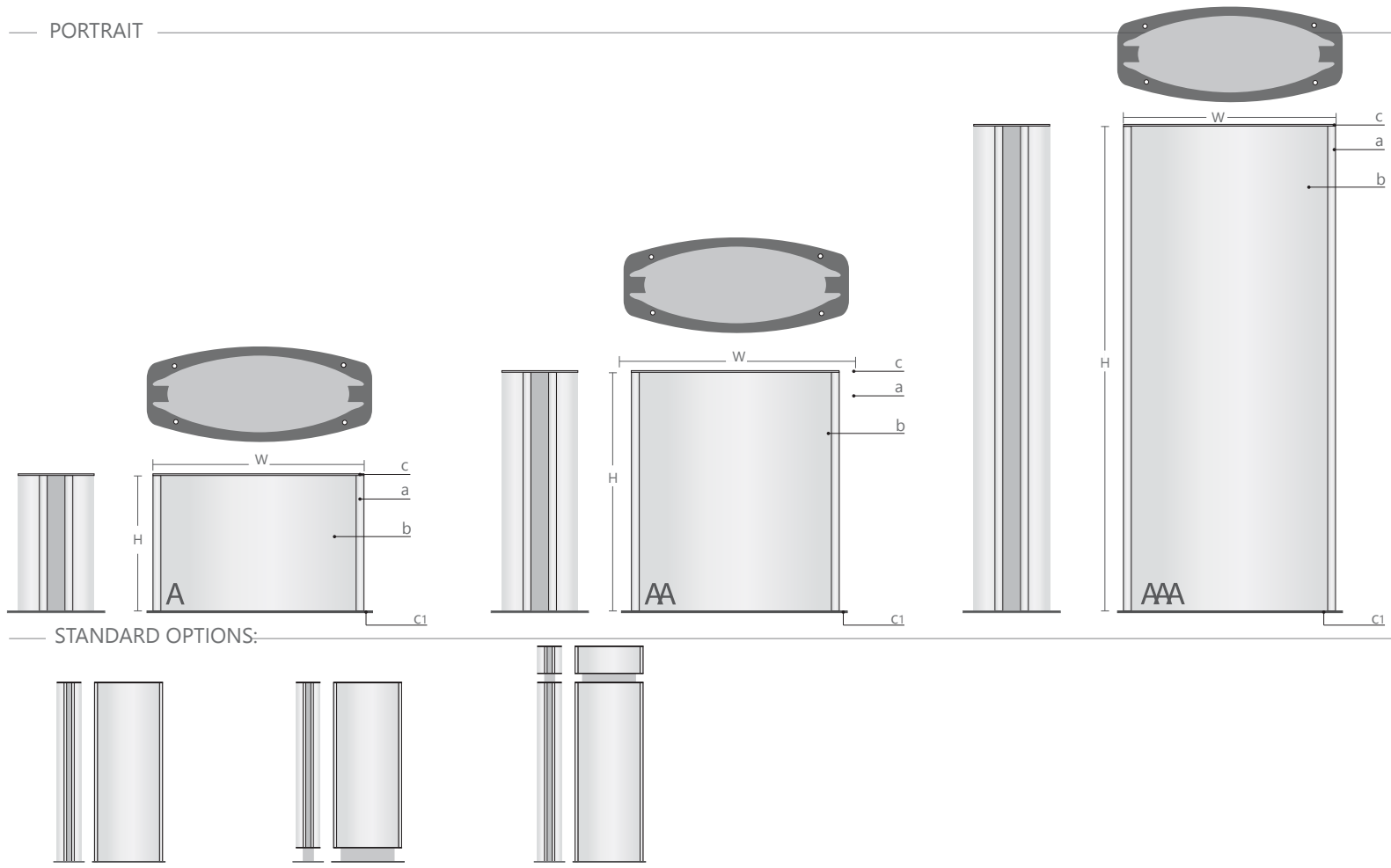
- a**
EXTRUSION finish/color options:
are made from high quality aluminum 6063 with an anodized or oven cured coating
1. clear anodized aluminum
- b**
INSERT OPTIONS:
1. Graphic sign fronts: engraved, laminated, silk screened, Imprinted with braille or photo metal finished
 2. Applied vinyl on aluminum insert
 3. 1. .040 aluminum backed photopolymer w/ raised symbols/copy and ADA compliant braille. Tip symbols/copy to contrast background Braille to remain background color
 4. Acrylic cover w/ paper insert
 5. Digital printing onto anodized aluminum by Primodize® or direct on clear cover

- PANELS**
1. Plastic divider black or silver with strips of clear cover
 2. Natural or anodized alum strips

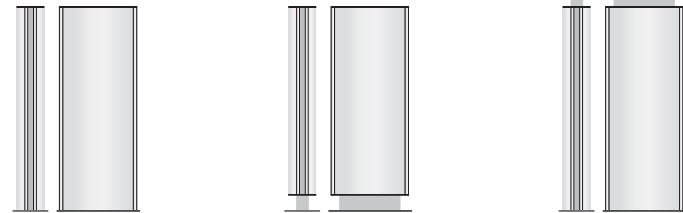
- c**
END CAPS finish/color options:
1. Clear anodized aluminum
 2. Can be painted or powder coated
 3. Gray or black ABS plastic

- d**
ACCENT BAR (available page no.*)
finish/color options:
1. Standard Mirtec anodized colors
 2. Can be painted or powder coated





STANDARD OPTIONS:



Standard sizes		A		AA		AAA	
No.	Part No.	H x W		H x W		H x W	
		mm	inch	mm	inch	mm	inch
1	Mir1021	254x 400	10 x 15.7	406 x 400	16 x 15.7	1981 x 400	78 x 15.7
2	Mir1022	305 x 500	12 x 19.6	508 x 500	20 x 19.6	1981 x 500	78 x 19.6
3	Mir1023	406 x 600	16 x 23.6	610 x 600	24 x 23.6	1981 x 600	78 x 23.6
4	Mir1025	508 x 800	20 x 31.4	711 x 800	28x 31.4	1981 x 800	78 x 31.4
5	Mir1027	610 x 1000	24 x 39.3	914 x 1000	36 x 39.3	1981 x 1000	78 x 39.3

d
ACCENT BAR
 (available page no.*)
 finish/color options:
 1. Standard Mirtec anodized colors
 2. can be painted or powder coated



6.0

Mercury Senior Sign Family Base Mount Stand

Mirtec Navigator Application A
 Free Standing, Pylon, Totem, Tri-Angular,
 Post Sign, Monolith, POP Display, Floor Stand

NOTES:

a
 EXTRUSION finish/color options:
 are made from high quality aluminum
 6063 with an anodized or oven cured
 coating
 1. clear anodized aluminum

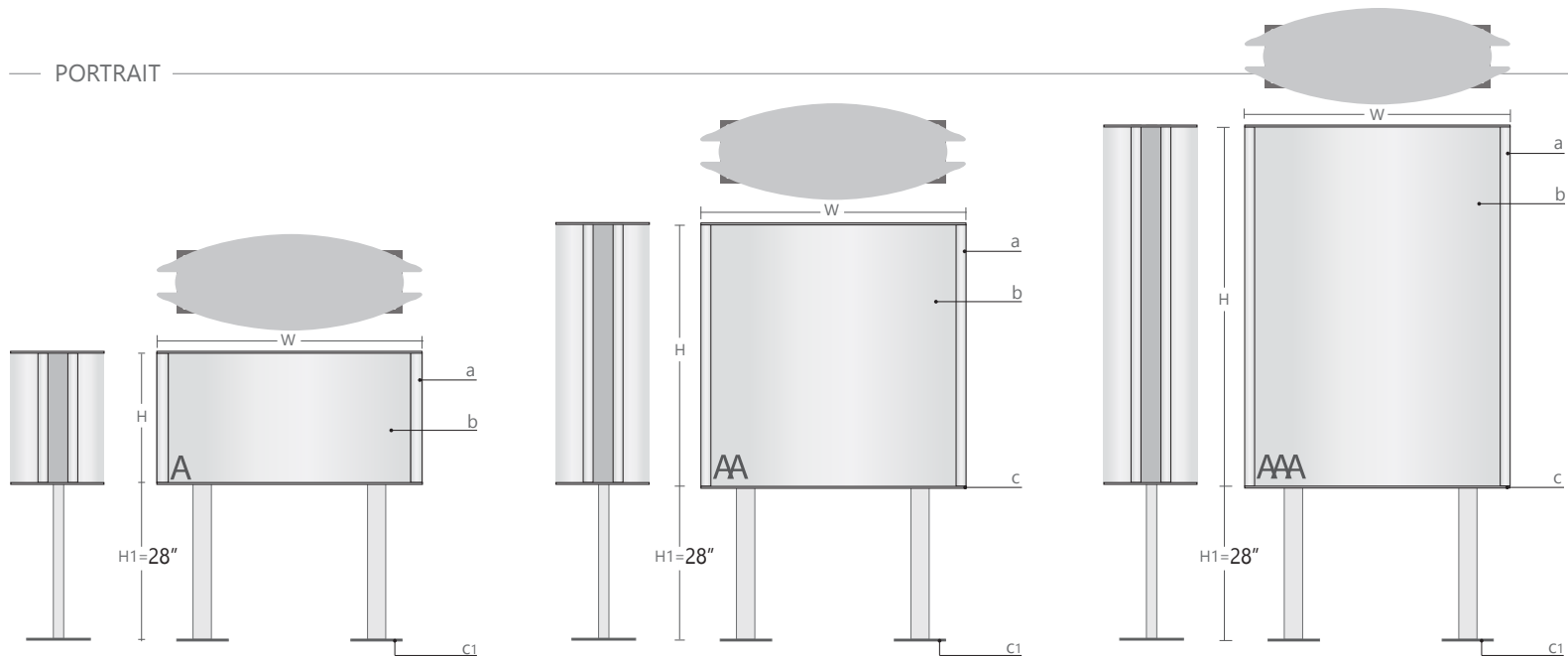
b
 INSERT OPTIONS:
 1. Painting on aluminum insert w/ graphics
 2. Digital output w/ acrylic cover
 3. Digital printing into anodized
 a aluminum by Primodize ®
 Extrusion finish/color options:
 1. Mirtec anodized aluminu
 2. Painted standard colors
 3. Powder coating
 PANELS

1. Plastic divider black or silver with
 strips of clear cover
 2. Natural or anodized alum strips

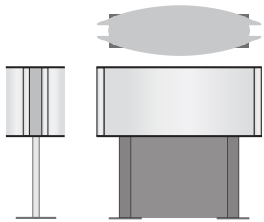
c
 END CAPS finish/color options:
 1. clear anodized aluminum
 2. aluminum end cap painted
 standard or custom colors

c1
 BASE:
 Provided by Mirtec as painted
 galvanized steel w/ pre drilled
 holes to accept mounting screws
 MOUNTING:
 Fabricator to utilize all
 thread and acorn nut method for
 floor mounting and provide no less
 than (6) six mounting screws for
 painted black galvanized steel base.
 freestanding option available.

— PORTRAIT —



— STANDARD OPTIONS: —



Mercury Senior Sign Family

Post - 2 Pole

Mirtec Navigator Application A
Free Standing, Pylon, Totem, Tri-Angular,
Post Sign, Monolith, POP Display, Floor Stand

NOTES:

a
EXTRUSION finish/color options:
are made from high quality aluminum
6063 with an anodized or oven cured
coating
1. clear anodized aluminum

b
INSERT OPTIONS:
1. Painting on aluminum insert w/ graphics
2. Digital output w/ acrylic cover
3. Digital printing into anodized
aluminum by Primodize®

Extrusion finish/color options:
1. Mirtec anodized aluminum
2. Painted standard colors
3. Powder coating
PANELS

1. Plastic divider black or silver with
strips of clear cover
2. Natural or anodized alum strips

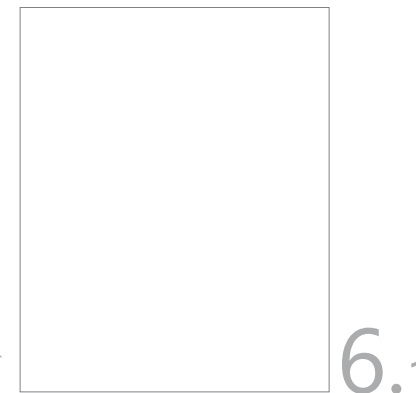
c
END CAPS finish/color options:
1. clear anodized aluminum
2. aluminum end cap painted
standard or custom colors

c1
POLE & BASE:
Provided by Mirtec as painted
galvanized steel w/ pre drilled
holes to accept mounting screws

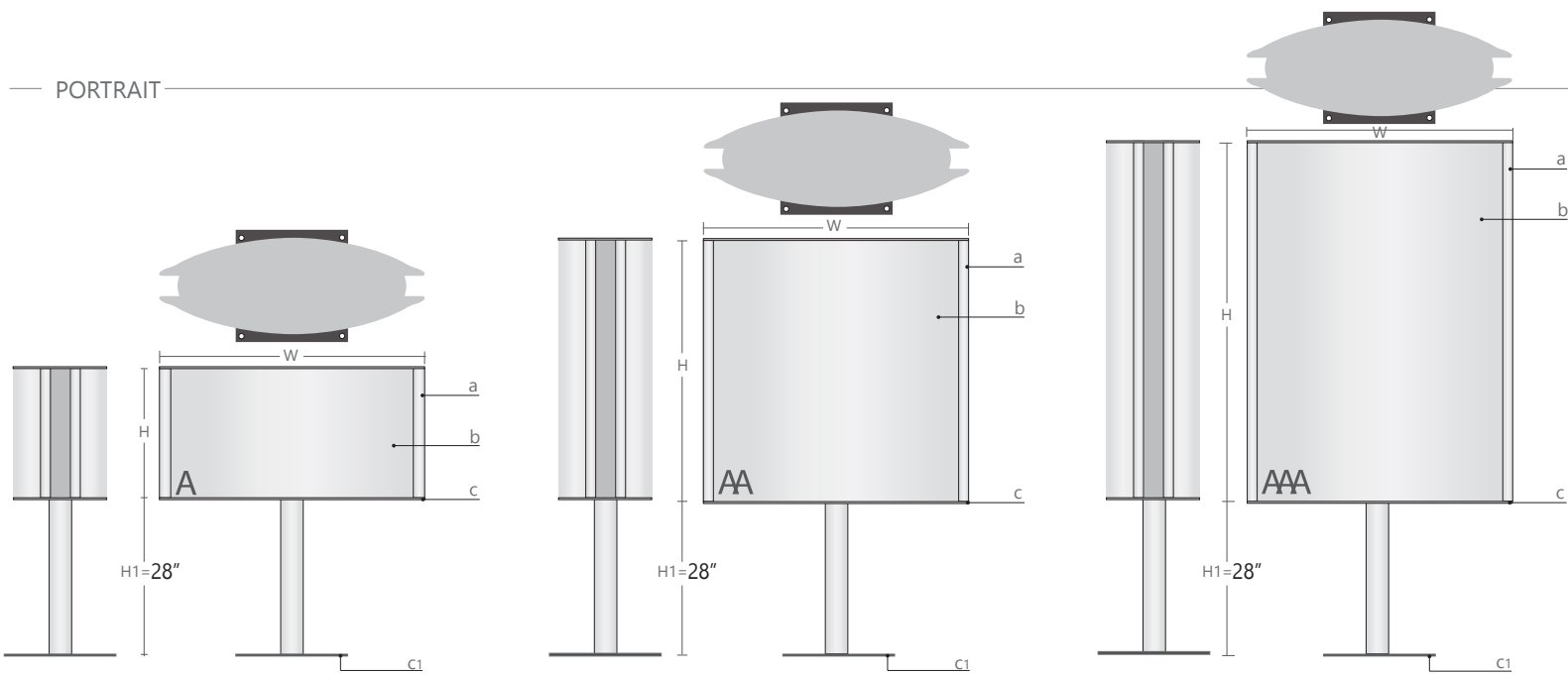
MOUNTING:
Fabricator to utilize all
thread and acorn nut method for
floor mounting and provide no less
than (6) six mounting screws for
painted black galvanized steel base.
freestanding option available.

Standard sizes		A		AA		AAA	
No.	Part No.	H x W		H x W		H x W	
		mm	inch	mm	inch	mm	inch
1	Mir0000	305 x 600	12 x 23.6	605 x 600	24 x 23.6	1981 x 600	78 x 23.6
2	Mir0000	356 x 900	14 x 35.4	889 x 900	39 x 35.4	1981 x 900	78 x 35.4
3	Mir0000	405 x 1000	16 x 39.3	1067 x 1000	42 x 39.3	1981 x 1000	78 x 39.3

d
ACCENT BAR
(available page no.*)
finish/color options:
1. Standard Mirtec anodized
colors
2. Can be painted or powder
coated



— PORTRAIT —



— STANDARD OPTIONS: —

Mercury Senior Sign Family

Post -1 Pole

Mirtec Navigator Application A
Free Standing, Pylon, Totem, Tri-Angular,
Post Sign, Monolith, POP Display, Floor Stand

NOTES:

a
EXTRUSION finish/color options:
are made from high quality aluminum
6063 with an anodized or oven cured
coating
1. clear anodized aluminum

b
INSERT OPTIONS:
1. Painting on aluminum insert w/ graphics
2. Digital output w/ acrylic cover
3. Digital printing into anodized
aluminum by Primodize®

Extrusion finish/color options:
1. Mirtec anodized aluminum
2. Painted standard colors
3. Powder coating

PANELS
1. Plastic divider black or silver with
strips of clear cover
2. Natural or anodized alum strips

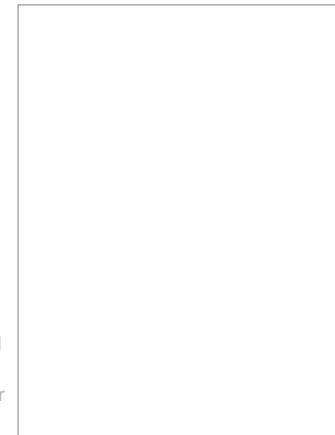
c
END CAPS finish/color options:
1. clear anodized aluminum
2. aluminum end cap painted
standard or custom colors

c1
POLE & BASE:
Provided by Mirtec as painted
galvanized steel w/ pre drilled
holes to accept mounting screws

MOUNTING:
Fabricator to utilize all
thread and acorn nut method for
floor mounting and provide no less
than (6) six mounting screws for
painted black galvanized steel base.
freestanding option available.

Standard sizes		A		AA		AAA	
No.	Part No.	H x W		H x W		H x W	
		mm	inch	mm	inch	mm	inch
1	Mir0000	305 x 600	12 x 23.6	605 x 600	24 x 23.6	1981 x 600	78 x 23.6
2	Mir0000	356 x 900	14 x 35.4	889 x 900	39 x 35.4	1981 x 900	78 x 35.4
3	Mir0000	405 x 1000	16 x 39.3	1067 x 1000	42 x 39.3	1981 x 1000	78 x 39.3

d
ACCENT BAR
(available page no.*)
finish/color options:
1. Standard Mirtec anodized
colors
2. Can be painted or powder
coated



6.2