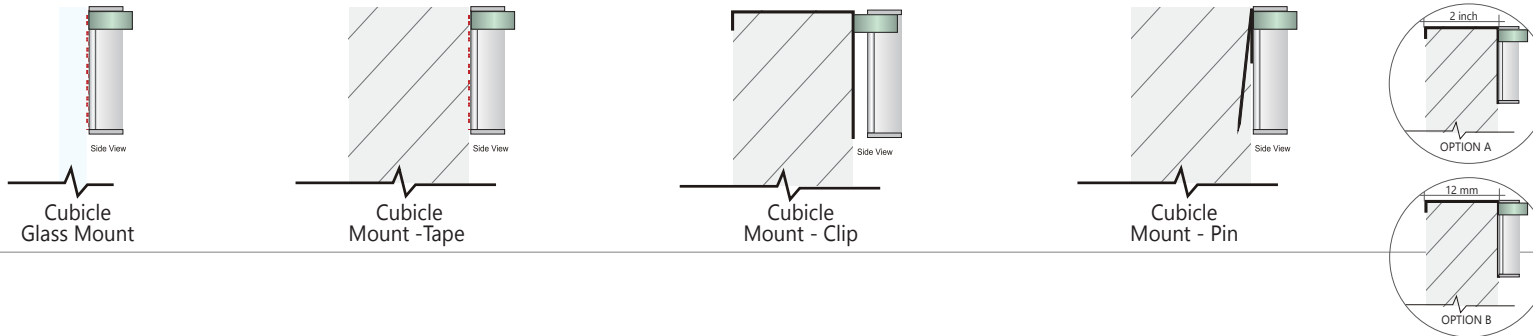


— INSTALLATION OPTIONS: —



Standard sizes		A		AA		AAA	
No.	Part No.	H x W		H x W		H x W	
		mm	inch	mm	inch	mm	inch
1	Mir0976Q- Acc.00	76 x 100	3 x 3.94	102 x 100	4 x 3.94	203 x 100	8 x 3.94
2	Mir0977Q- Acc.00	102 x 120	4 x 4.72	127 x 120	5 x 4.72	203 x 120	8 x 4.72
3	Mir0779- Acc.00	102 x 150	4 x 5.90	152 x 150	6 x 5.90	203 x 150	8 x 5.90
4	Mir0780- Acc.00	152 x 200	6 x 7.87	203 x 200	8 x 7.87	254 x 200	10 x 7.87
5	Mir1095Q- Acc.00	150 x 217	5.90 x 8.54	217 x 217	8.54 x 8.54	297 x 217	11.6 x 8.54
6	Mir0781- Acc.00	152 x 221	6 x 8.70	221 x 221	8.70 x 8.70	280 x 221	11.0 x 8.70

Accent Bar Sizes			
No.	Accent		Accent - H 1
			mm    inch
1	Acc.01		6    0.24
2	Acc.02		10    0.39
3	Acc.03		13    0.59
4	Acc.04		20    0.79
5	Acc.05		40    1.57
6	Acc.06		25    1
7	Acc.07		25    1

Jupiter / Orion Accentia family  
Cubicle

NOTES:

- a** EXTRUSION finish/color options: are made from high quality aluminum 6063 with an anodized or oven cured coating
  1. Clear anodized aluminum
- b** INSERT OPTIONS:
  1. Graphic sign fronts: engraved, laminated, silk screened, Imprinted with braille or photo metal finished
  2. Applied vinyl on aluminum insert
  3. 1. .040 aluminum backed photopolymer w/ raised symbols/copy and ADA compliant braille. Tip symbols/copy to contrast background. braille to remain background color
  4. Acrylic cover w/ paper insert
  5. Digital printing onto anodized aluminum by Primodize® or direct on clear cover
- c** END CAPS finish/color options:
  1. Clear anodized aluminum
  2. Can be painted or powder coated
  3. Gray or black ABS plastic
- d** ACCENT BAR (available page no.\*) finish/color options:
  1. Standard Mirtec anodized colors
  2. Can be painted or powder coated

1.4

