

# Venus sign family

Spec sheets by application and sign type



**Room ID**

1.

- Identification
- Personal Identification
- Conference RI
- Exit
- Wayfinding
- Regulatory
- Life Safety
- Workstation



**Desktop**

2.

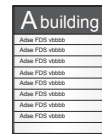
- Personal Identification
- Workstation



**Projecting**

3.

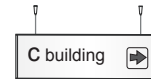
- Symbol
- Restroom
- Pictogram



**Directory**

4.

- Wayfinding
- Information Holder
- Donor
- Evacuation
- Promotion
- Commercial



**Suspended directional**

5.

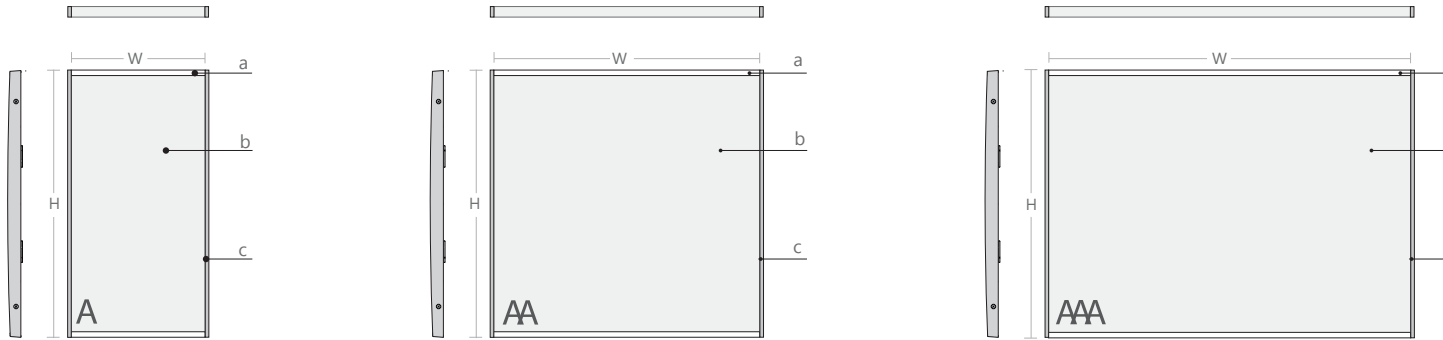
- Wayfinding
- Information



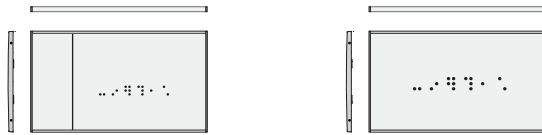
**Stand**

6.

- Wayfinding
- Information
- Commercial
- Promotion



STANDARD OPTIONS:



NOTES:

**a**

EXTRUSION finish/color options: are made from high quality aluminum 6063 with an anodized or oven cured coating

1. Clear anodized aluminum

**b**

INSERT OPTIONS:

1. Graphic sign fronts: engraved, laminated, silk screened, Imprinted with braille or photo metal finished
2. Applied vinyl on aluminum insert
3. 1. .040 aluminum backed photopolymer w/ raised symbols/copy and ADA compliant braille. Tip symbols/copy to contrast background. braille to remain background color
4. Acrylic cover w/ paper insert
5. Digital printing onto anodized aluminum by Primodize ® or direct on clear cover

**c**

END CAPS finish/color options:

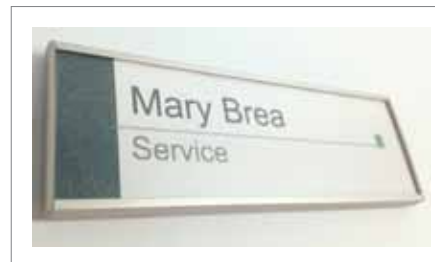
1. Clear anodized aluminum
2. Can be painted or powder coated
3. Gray or black ABS plastic

**d**

ACCENT BAR (available page no.\*) finish/color options:

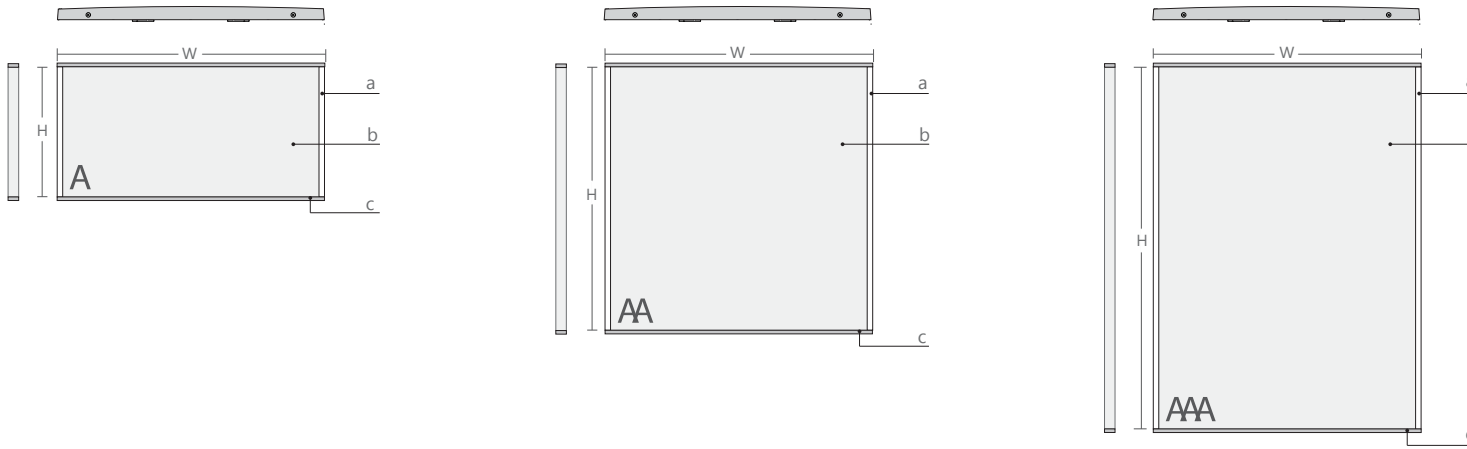
1. Standard Mirtec anodized colors
2. Can be painted or powder coated

Standart sizes		A		AA		AAA	
No.	Part No.	H x W		H x W		H x W	
		mm	inch	mm	inch	mm	inch
1	Mir2121			62 x 62	2.44 x 2.44	62 x 203	2.44 x 8
2	Mir2122	102 x 76	2.36 x 1.49	102 x 102	4 x 4	102 x 254	4 x 10
3	Mir2123	152 x 102	6 x 4	152 x 152	6 x 6	152 x 305	6 x 12
4	Mir2124	222 x 152	8.74 x 6	222 x 222	8.74 x 8.74	222 x 457	8.74 x 18

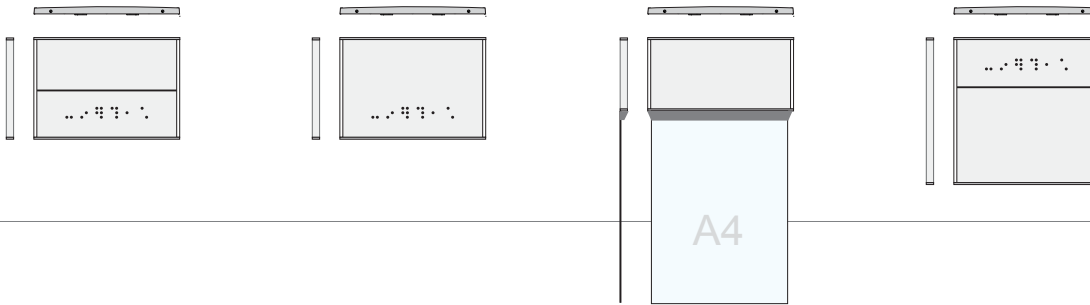


1.0





— STANDARD OPTIONS: —



Standard sizes		A		AA		AAA	
No.	Part No.	H x W		H x W		H x W	
		mm	inch	mm	inch	mm	inch
1	Mir2122	76 x 102	3 x 4	102 x 102	4 x 4	152 x 102	6 x 4
2	Mir2123	102 x 152	4 x 6	152 x 152	6 x 6	203 x 152	8 x 6
3	Mir2124	152 x 222	6 x 8.74	222 x 222	8.74 x 8.74	280 x 222	11 x 8.74
4	Mir2264	152 x 254	6 x 10	254 x 254	10 x 10		
5	Mir2161	203 x 304	8 x 11.9	304 x 304	11.9 x 11.9	432 x 304	17 x 11.9



1.1

Venus Sign Family

Room ID

NOTES:

**a**

EXTRUSION finish/color options:  
are made from high quality aluminum 6063 with an anodized or oven cured coating

1. Clear anodized aluminum

**b**

INSERT OPTIONS:

1. Graphic sign fronts:  
engraved, laminated, silk screened, Imprinted with braille or photo metal finished
2. Applied vinyl on aluminum insert
3. 1. .040 aluminum backed photopolymer w/ raised symbols/copy and ADA compliant braille. Tip symbols/copy to contrast background. braille to remain background color
4. Acrylic cover w/ paper insert
5. Digital printing onto anodized aluminum by Primodize ® or direct on clear cover

**c**

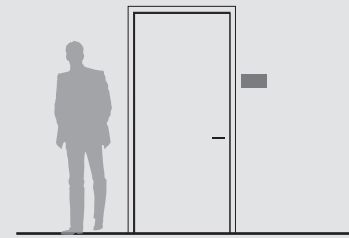
END CAPS finish/color options:

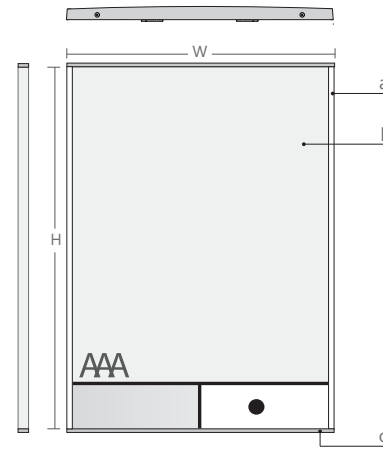
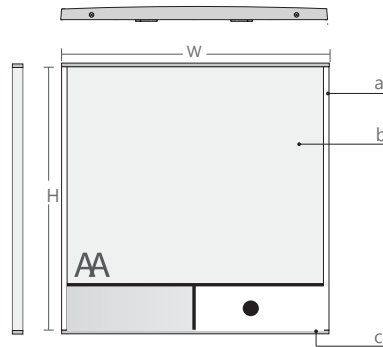
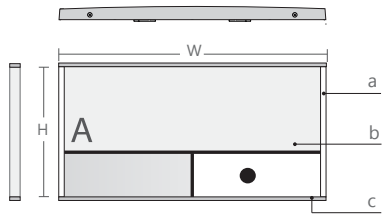
1. Clear anodized aluminum
2. Can be painted or powder coated
3. Gray or black ABS plastic

**d**

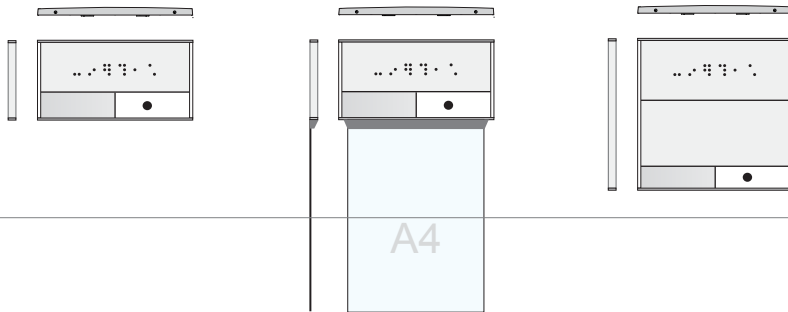
ACCENT BAR (available page no.\*)

- finish/color options:
1. Standard Mirtec anodized colors
  2. Can be painted or powder coated





— STANDARD OPTIONS: —



Standard sizes		A		AA		AAA	
No.	Part No.	H x W		H x W		H x W	
		mm	inch	mm	inch	mm	inch
1	Mir2288	102 x 152	4 x 6	152 x 152	6 x 6	203 x 152	8 x 6
2	Mir2289	152 x 222	6 x 8.74	222 x 222	8.74 x 8.74	280 x 222	11 x 8.74



1.2

Venus Sign Family  
Room ID In Use Slider

NOTES:

**a**

EXTRUSION finish/color options:  
are made from high quality aluminum 6063 with an anodized or oven cured coating

1. Clear anodized aluminum

**b**

INSERT OPTIONS:

1. Graphic sign fronts:  
engraved, laminated, silk screened, Imprinted with braille or photo metal finished
2. Applied vinyl on aluminum insert
3. 1. .040 aluminum backed photopolymer w/ raised symbols/copy and ADA compliant braille. Tip symbols/copy to contrast background. braille to remain background color
4. Acrylic cover w/ paper insert
5. Digital printing onto anodized aluminum by Primodize® or direct on clear cover

**c**

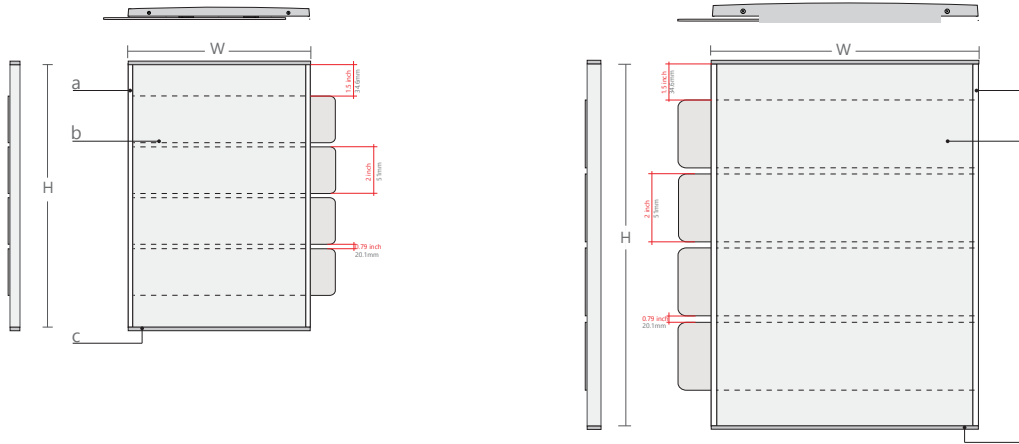
END CAPS finish/color options:

1. Clear anodized aluminum
2. Can be painted or powder coated
3. Gray or black ABS plastic

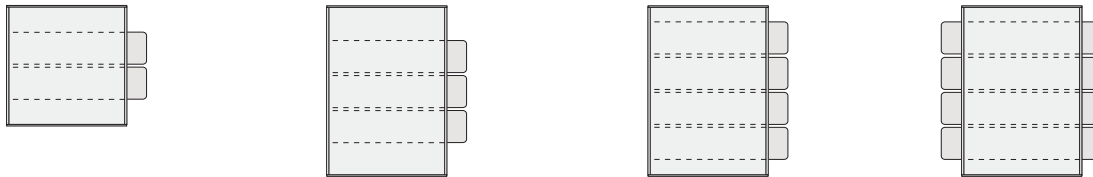
**d**

ACCENT BAR (available page no.\*)  
finish/color options:

1. Standard Mirtec anodized colors
2. Can be painted or powder coated



STANDARD OPTIONS:



Standard sizes

No.	Part No.	H x W		H x W		H x W		H x W	
		mm	inch	mm	inch	mm	inch	mm	inch
1	Mir2286PT1*	183 x 152	7.20 x 6	237 x 152	9.33 x 6	291 x 152	11.4 x 6	291 x 152	11.4 x 6
2	Mir2286PT2*	183 x 152	7.20 x 6	237 x 152	9.33 x 6	291 x 152	11.4x 6	291 x 152	11.4x 6
3	Mir2287PT1*	183 x 222	7.20 x 8.74	237 x 222	9.33 x 8.74	291 x 222	11.4 x 8.74	291 x 222	11.4 x 8.74
4	Mir2287PT2*	183 x 222	7.20 x 8.74	237 x 222	9.33 x 8.74	291 x 222	11.4x 8.74	291 x 222	11.4x 8.74

PT1\*= One side PT2\*= Both sides



1.3

## Venus Sign Family Sign with Pull Tabs

NOTES:

**a**

EXTRUSION finish/color options:  
are made from high quality aluminum 6063 with an anodized or oven cured coating  
1. Clear anodized aluminum

**b**

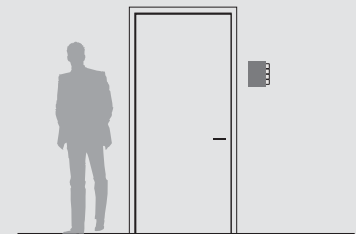
INSERT OPTIONS:  
1. Graphic sign fronts:  
engraved, laminated, silk screened, Imprinted with braille or photo metal finished  
2. Applied vinyl on aluminum insert  
3. 1. .040 aluminum backed photopolymer w/ raised symbols/copy and ADA compliant braille. Tip symbols/copy to contrast background. braille to remain background color  
4. Acrylic cover w/ paper insert  
5. Digital printing onto anodized aluminum by Primodize ® or direct on clear cover

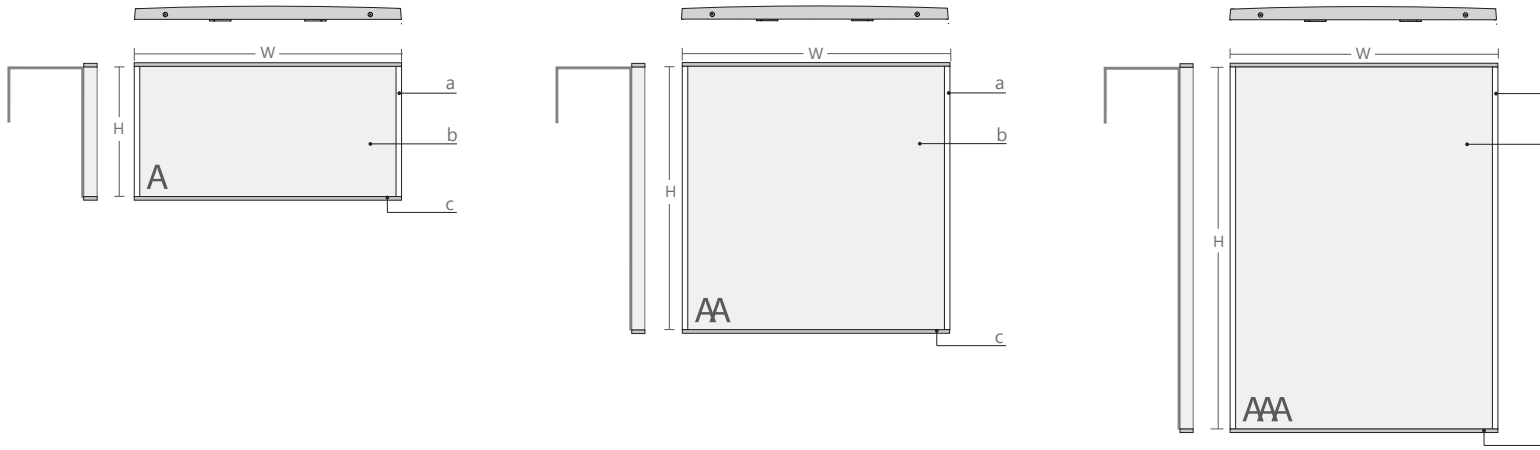
**c**

END CAPS finish/color options:  
1. Clear anodized aluminum  
2. Can be painted or powder coated  
3. Gray or black ABS plastic

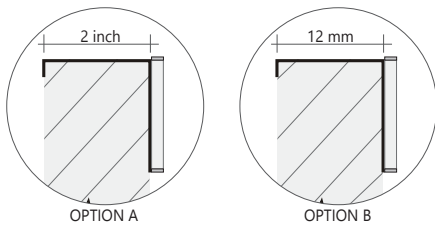
**d**

ACCENT BAR (available page no.\*)  
finish/color options:  
1. Standard Mirtec anodized colors  
2. Can be painted or powder coated





— INSTALLATION OPTIONS: —



Standard sizes		A		AA		AAA	
No.	Part No.	H x W		H x W		H x W	
		mm	inch	mm	inch	mm	inch
1	Mir2284	76 x 102	3 x 4	102 x 102	4 x 4	152 x 102	6 x 4
2	Mir2285	102 x 152	4 x 6	152 x 152	6 x 6	203 x 152	8 x 6
3	Mir2296	152 x 222	6 x 8.74	222 x 222	8.74 x 8.74	280 x 222	11 x 8.74



1.4

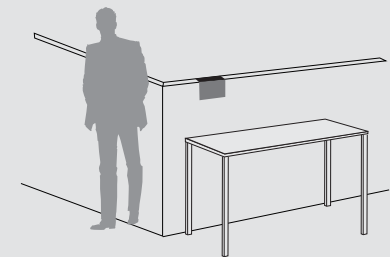
Venus Sign Family  
Cubicle

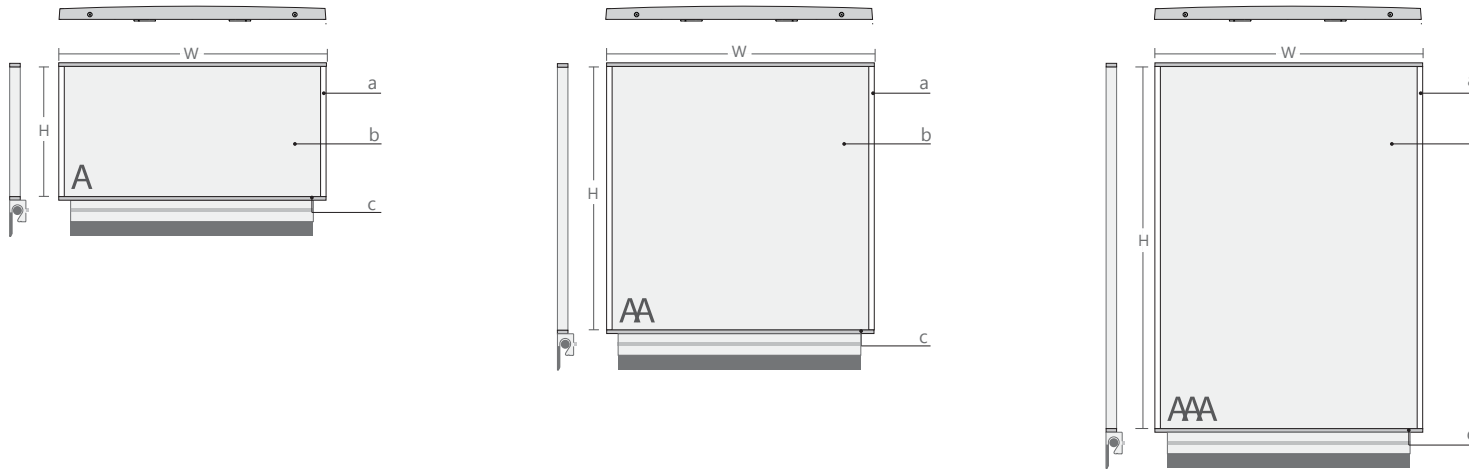
NOTES:

- a**  
EXTRUSION finish/color options:  
are made from high quality aluminum 6063 with an anodized or oven cured coating
1. Clear anodized aluminum
- b**  
INSERT OPTIONS:
1. Graphic sign fronts:  
engraved, laminated, silk screened, Imprinted with braille or photo metal finished
  2. Applied vinyl on aluminum insert
  3. 1. .040 aluminum backed photopolymer w/ raised symbols/copy and ADA compliant braille. Tip symbols/copy to contrast background. braille to remain background color
  4. Acrylic cover w/ paper insert
  5. Digital printing onto anodized aluminum by Primodize ® or direct on clear cover

- c**  
END CAPS finish/color options:
1. Clear anodized aluminum
  2. Can be painted or powder coated
  3. Gray or black ABS plastic

- d**  
ACCENT BAR (available page no.\*)  
finish/color options:
1. Standard Mirtec anodized colors
  2. Can be painted or powder coated

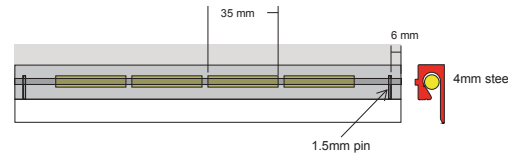




— STANDARD OPTIONS: —



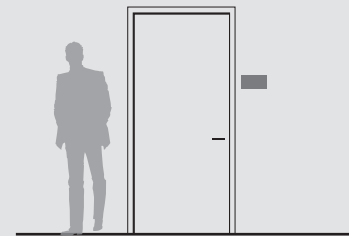
Extrusion		Bar Width		4mmRoll
mm	inch	mm	inch	Quantity
152	5.98	136	5.35	4
222	8.74	207	8.14	6



Standard sizes		A		AA		AAA	
No.	Part No.	H x W		H x W		H x W	
		mm	inch	mm	inch	mm	inch
1	Mir2124	152 x 222	6 x 8.74	222 x 222	8.74 x 8.74	280 x 222	11 x 8.74
2	Mir2264	152 x 254	6 x 10	254 x 254	10 x 10		



1.5



Venus Sign Family  
Note Bar (Paper Holder)

NOTES:

**a**

EXTRUSION finish/color options: are made from high quality aluminum 6063 with an anodized or oven cured coating

1. Clear anodized aluminum

**b**

INSERT OPTIONS:

1. Graphic sign fronts: engraved, laminated, silk screened, Imprinted with braille or photo metal finished
2. Applied vinyl on aluminum insert
3. 1. .040 aluminum backed photopolymer w/ raised symbols/copy and ADA compliant braille. Tip symbols/copy to contrast background. braille to remain background color
4. Acrylic cover w/ paper insert
5. Digital printing onto anodized aluminum by Primodize® or direct on clear cover

**c**

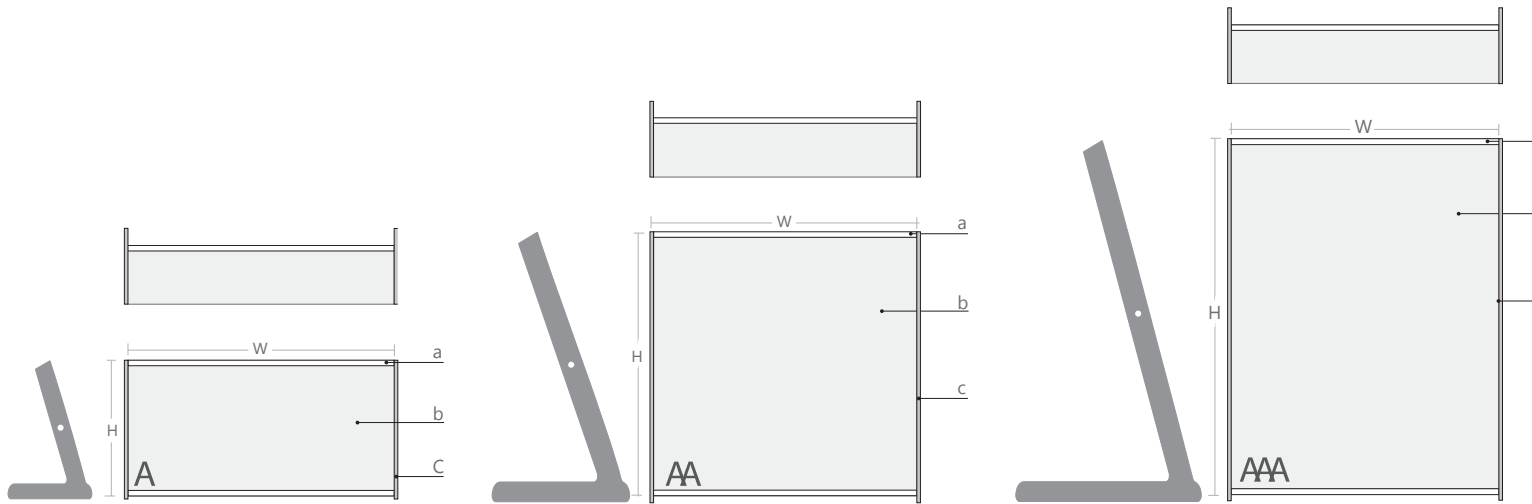
END CAPS finish/color options:

1. Clear anodized aluminum
2. Can be painted or powder coated
3. Gray or black ABS plastic

**d**

ACCENT BAR (available page no.\*)

- finish/color options:
1. Standard Mirtec anodized colors
  2. Can be painted or powder coated



STANDARD OPTIONS:

Venus Sign Family

Desktop

NOTES:

**a**

EXTRUSION finish/color options:  
are made from high quality aluminum 6063 with an anodized or oven cured coating

1. Clear anodized aluminum

**b**

INSERT OPTIONS:

1. Graphic sign fronts:  
engraved, laminated, silk screened, Imprinted with braille or photo metal finished
2. Applied vinyl on aluminum insert
3. 1. .040 aluminum backed photopolymer w/ raised symbols/copy and ADA compliant braille. Tip symbols/copy to contrast background. braille to remain background color
4. Acrylic cover w/ paper insert
5. Digital printing onto anodized aluminum by Primodize® or direct on clear cover

**c**

END CAPS finish/color options:

1. Clear anodized aluminum
2. Can be painted or powder coated

**d**

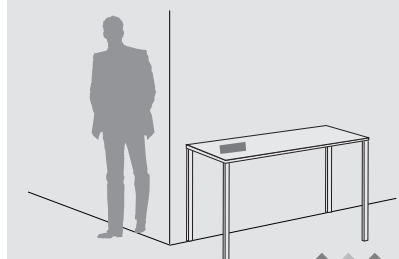
ACCENT BAR (available page no.\*)  
finish/color options:

1. Standard Mirtec anodized colors
2. Can be painted or powder coated

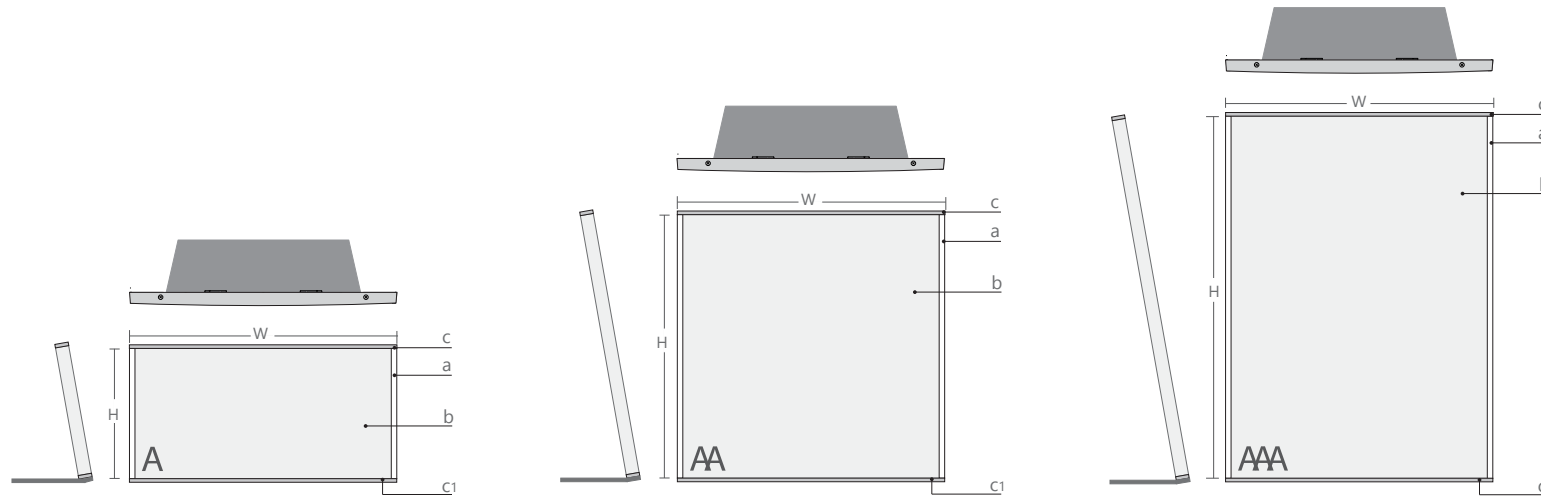
Standard sizes		A		AA		AAA	
No.	Part No.	H x W		H x W		H x W	
		mm	inch	mm	inch	mm	inch
1	Mir2053			62 x 62	2.44 x 2.44	127 x 62	5 x 2.44
2	Mir2054	102 x 76	4.01 x 3	102 x 102	4.01 x 4.01	152 x 102	6 x 4.01
3	Mir2055	152 x 127	6 x 5	152 x 152	6 x 6	254 x 152	10 x 6
4	Mir2056	222 x 152	8.74 x 6	222 x 222	8.74 x 8.74	280 x 222	11 x 8.74



2.0







— STANDARD OPTIONS: —

Venus Sign Family  
Desktop

NOTES:

**a**  
EXTRUSION finish/color options:  
are made from high quality aluminum  
6063 with an anodized or oven cured  
coating

1. Clear anodized aluminum

**b**  
INSERT OPTIONS:  
1. Graphic sign fronts:  
engraved, laminated, silk screened,  
Imprinted with braille or photo metal  
finished  
2. Applied vinyl on aluminum insert  
3. 1. .040 aluminum backed  
photopolymer w/ raised  
symbols/copy and ADA compliant  
braille. Tip symbols/copy to contrast  
background. braille to remain  
background color  
4. Acrylic cover w/ paper insert  
5. Digital printing onto anodized  
aluminum by Primodize® or direct  
on clear cover

**c**  
END CAPS finish/color options:  
1. Clear anodized aluminum  
2. Can be painted or powder coated  
3. Gray or black ABS plastic

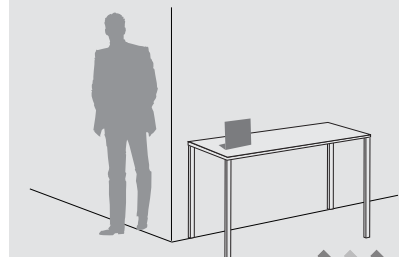
**c1**  
Base finish/color options:  
1. Mirtec clear anodized aluminum

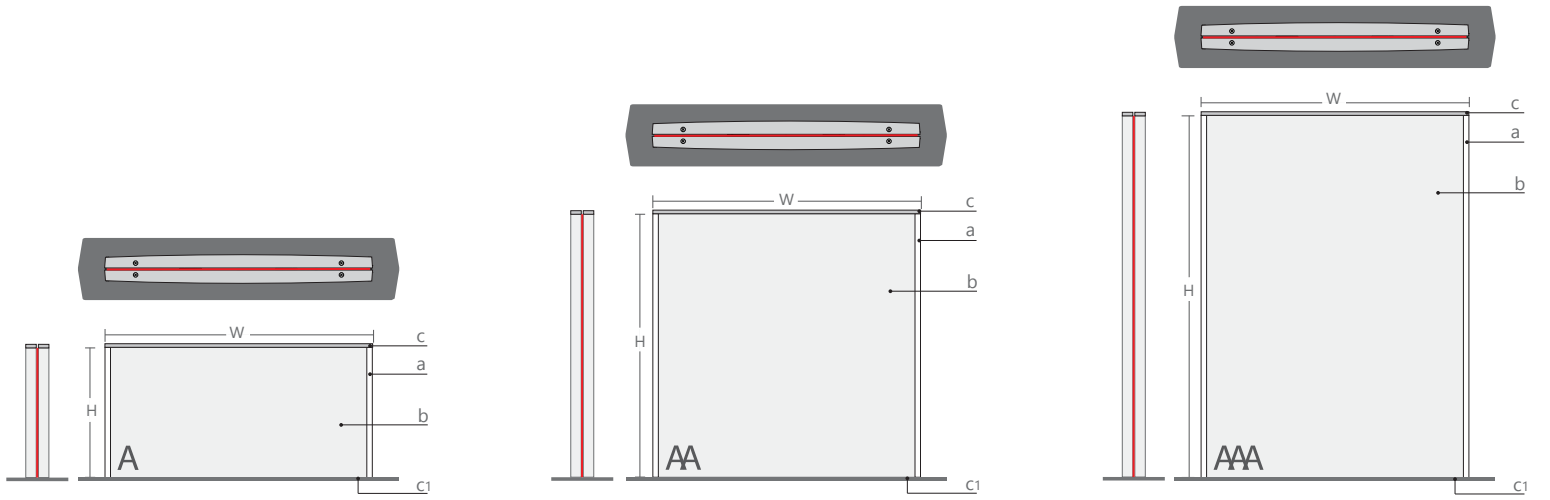
Standard sizes		A		AA		AAA	
No.	Part No.	H x W		H x W		H x W	
		mm	inch	mm	inch	mm	inch
1	Mir2045	40 x 62	1.57 x 2.44	62 x 62	2.44 x 2.44	127 x 62	5 x 2.44
2	Mir2046	76 x 102	3 x 4.01	102 x 102	4.01 x 4.01	152 x 102	6 x 4.01
3	Mir2047	102 x 152	4.01 x 6	152 x 152	6 x 6	203 x 152	8 x 6
4	Mir2048	152 x 222	6 x 8.74	222 x 222	8.74 x 8.74	280 x 222	11 x 8.74

**d**  
ACCENT BAR  
(available page no.\*)  
finish/color options:  
1. Standard Mirtec  
anodized colors  
2. Can be painted or  
powder coated

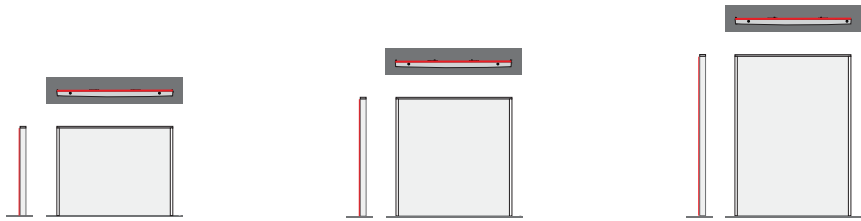


2.1





STANDARD OPTIONS:



NOTES:

**a**  
EXTRUSION finish/color options:  
are made from high quality aluminum  
6063 with an anodized or oven cured  
coating

1. Clear anodized aluminum

**b**  
INSERT OPTIONS:  
1. Graphic sign fronts:  
engraved, laminated, silk screened,  
Imprinted with braille or photo metal  
finished

2. Applied vinyl on aluminum insert
3. .040 aluminum backed  
photopolymer w/ raised  
symbols/copy and ADA compliant  
braille. Tip symbols/copy to contrast  
background. braille to remain  
background color
4. Acrylic cover w/ paper insert
5. Digital printing onto anodized  
aluminum by Primodize® or direct  
on clear cover

**c**  
END CAPS finish/color options:  
1. Clear anodized aluminum  
2. Can be painted or powder coated  
3. Gray or black ABS plastic

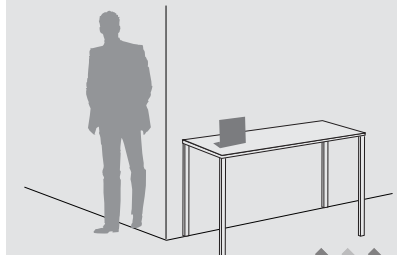
**c1**  
Base finish/color options:  
1. Mirtec clear anodized aluminum

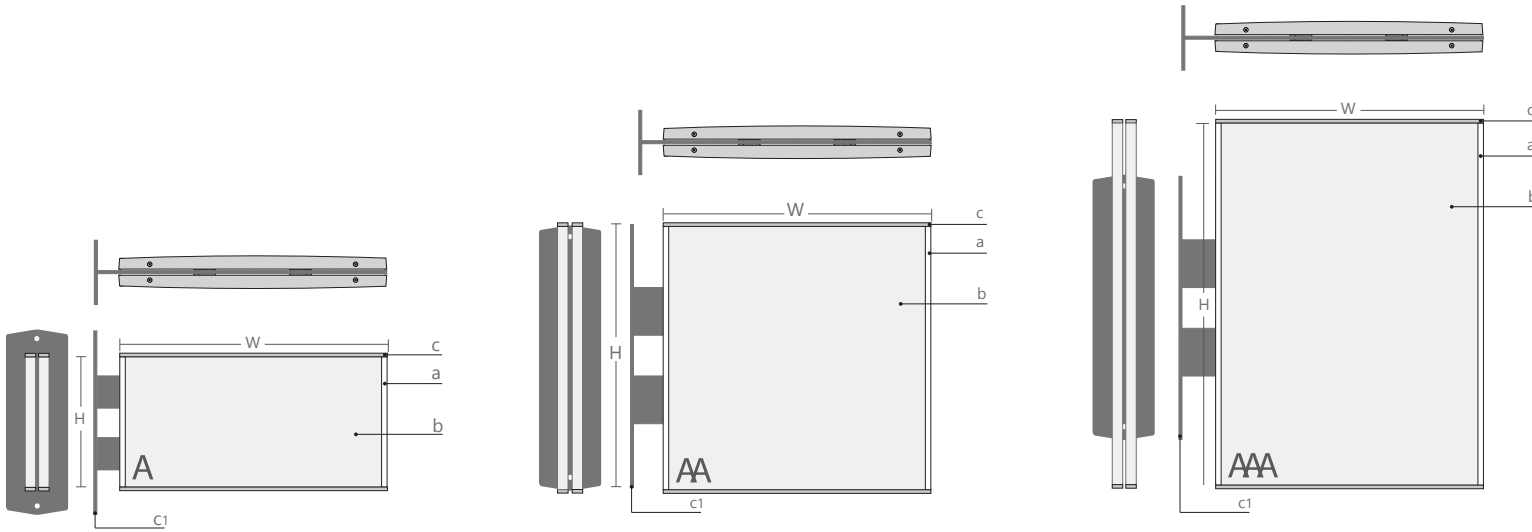
Standard sizes		A		AA		AAA	
No.	Part No.	H x W		H x W		H x W	
		mm	inch	mm	inch	mm	inch
1	Mir2037	40 x 62	1.57 x 2.44	62 x 62	2.44 x 2.44	102 x 62	4.01 x 2.44
2	Mir2038	76 x 102	3 x 4.01	102 x 102	4.01 x 4.01	152 x 102	5.98 x 4.01
3	Mir2039	102 x 152	4.01 x 6	152 x 152	6 x 6	203 x 152	8 x 5.98
4	Mir2040	152 x 222	6 x 8.74	222 x 222	8.74 x 8.74	280 x 222	11 x 8.74

**d**  
ACCENT BAR  
(available page no.\*)  
finish/color options:  
1. Standard Mirtec  
anodized colors  
2. Can be painted or  
powder coated

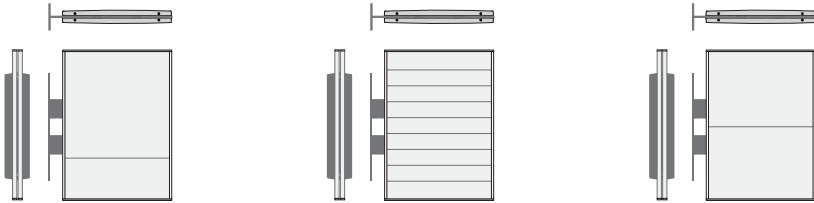


2.2





— STANDARD OPTIONS: —



Standard sizes	No.	Part No.	A		AA		AAA	
			H x W	H x W	H x W	H x W		
			mm	inch	mm	inch	mm	inch
	1	Mir2029			62 x 62	2.44 x 2.44	127 x 62	5 x 2.44
	2	Mir2030			102 x 102	4.01 x 4.01	152 x 102	6 x 4.01
	3	Mir2031	127 x 152	5 x 6	152 x 152	5.98 x 5.98	203 x 152	8 x 5.98
	4	Mir2032	152 x 222	6 x 8.74	222 x 222	8.74 x 8.74	280 x 222	11.7 x 8.74
	5	Mir2294	203 x 254	8 x 10	254 x 254	10 x 10		
	6	Mir2157	203 x 304	8 x 11.9	304 x 304	11.9 x 11.9	432 x 304	17 x 11.9
	7	Mir2158	305 x 404	12 x 15.9	404 x 404	15.9 x 15.9	605 x 404	24 x 15.9

**d**  
 ACCENT BAR  
 (available page no.\*)  
 finish/color options:  
 1. Standard Mirtec  
 anodized colors  
 2. Can be painted or  
 powder coated



3.0

Venus Sign Family  
 Projecting Sign Distanced

NOTES:

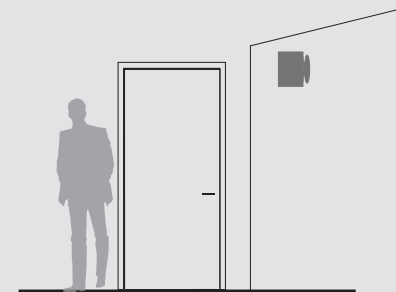
**a**  
 EXTRUSION finish/color options:  
 are made from high quality aluminum  
 6063 with an anodized or oven cured  
 coating.

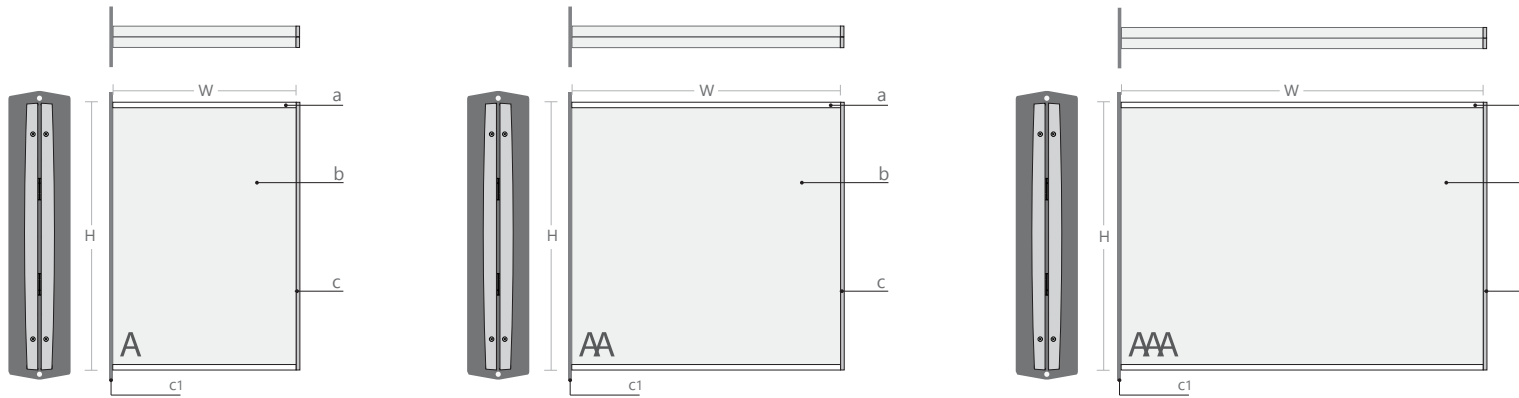
1. Clear anodized aluminum

**b**  
 INSERT OPTIONS:  
 1. Acrylic cover w/ subsurface  
 silkscreen and backspray.  
 2. Digital printing into anodized  
 aluminum by Primodize®  
 3. Painted acrylic cover w/ vinyl  
 graphics  
 4. Acrylic cover w/digital print

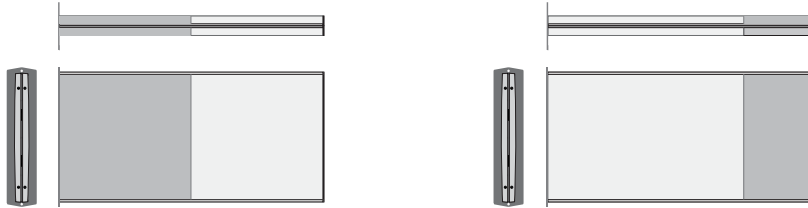
**c**  
 END CAPS finish/color options:  
 1. Clear anodized aluminum.  
 2. Aluminum end cap painted  
 standard or custom colors.  
 3. Gray or black ABS plastic.

**C1**  
 MOUNTING BRACKET  
 finish/color options:  
 1. Mirtec clear anodized aluminum  
 2. Painted aluminum cap standard





STANDARD OPTIONS:



Standard sizes		A		AA		AAA	
No.	Part No.	H x W		H x W		H x W	
		mm	inch	mm	inch	mm	inch
1	Mir2021			62 x 62	2.44 x 2.44	62 x 127	2.44 x 5
2	Mir2022	102 x 76	4.01 x 3	102 x 102	4.01 x 4.01	102 x 152	4.01 x 6
3	Mir2023	152 x 127	6 x 5	152 x 152	6 x 6	152 x 203	6 x 8
4	Mir2024	222 x 152	8.74 x 6	222 x 222	8.74 x 8.74	222 x 305	8.74 x 12
5	Mir2293	254 x 152	10 x 6	254 x 254	10 x 10		
6	Mir2153	304 x 203	11.9 x 8	304 x 304	11.9 x 11.9	304 x 432	11.9 x 17
7	Mir2154	404 x 305	15.9 x 12	404 x 404	15.9 x 15.9	404 x 508	11.8 x 20

**d**  
 ACCENT BAR  
 (available page no.\*)  
 finish/color options:  
 1. Standard Mirtec  
 anodized colors  
 2. Can be painted or  
 powder coated



3.1

Venus Sign Family  
 Projecting Sign Attached

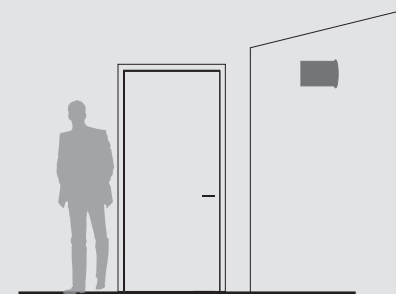
NOTES:

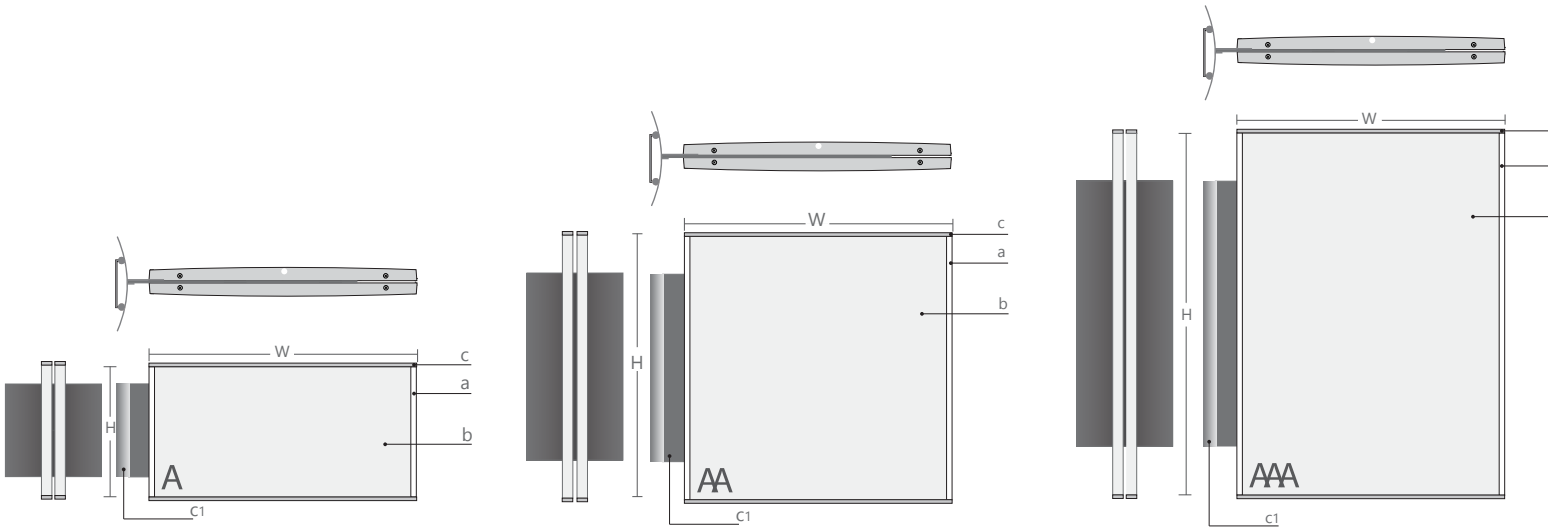
**a**  
 EXTRUSION finish/color options:  
 are made from high quality aluminum  
 6063 with an anodized or oven cured  
 coating.  
 1. Clear anodized aluminum

**b**  
 INSERT OPTIONS:  
 1. Acrylic cover w/ subsurface  
 silkscreen and backspray.  
 2. Digital printing into anodized  
 aluminum by Primodize ®  
 3. Painted acrylic cover w/ vinyl  
 graphics  
 4. Acrylic cover w/digital print

**c**  
 END CAPS finish/color options:  
 1. Clear anodized aluminum.  
 2. Aluminum end cap painted  
 standard or custom colors.  
 3. Gray or black ABS plastic.

**c1**  
 MOUNTING BRACKET  
 finish/color options:  
 1. Mirtec clear anodized aluminum  
 2. Painted aluminum cap standard





NOTES:

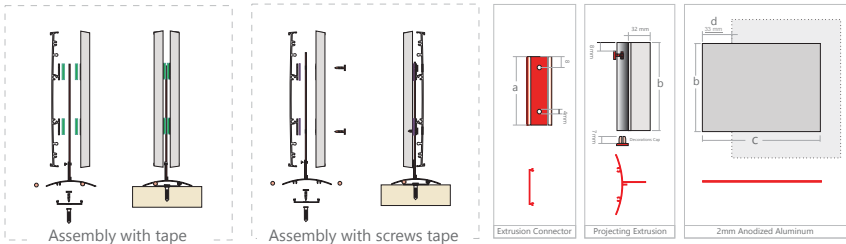
**a**  
EXTRUSION finish/color options:  
are made from high quality aluminum  
6063 with an anodized or oven cured  
coating.  
1. Clear anodized aluminum

**b**  
INSERT OPTIONS:  
1. Acrylic cover w/ subsurface  
silkscreen and backspray.  
2. Digital printing into anodized  
aluminum by Primodize ®  
3. Painted acrylic cover w/ vinyl  
graphics  
4. Acrylic cover w/digital print

**c**  
END CAPS finish/color options:  
1. Clear anodized aluminum.  
2. Aluminum end cap painted  
standard or custom colors.  
3. Gray or black ABS plastic.

**C1**  
MOUNTING BRACKET  
finish/color options:  
1. Mirtec clear anodized aluminum  
2. Painted aluminum cap standard

STANDARD OPTIONS:



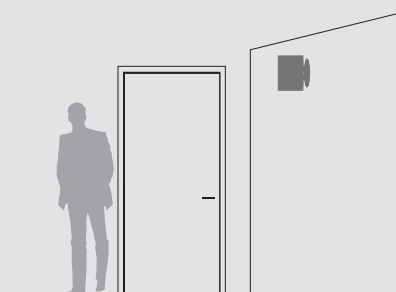
PROFILE		a(b-22mm)		b		c		d	
mm	Inch	mm	Inch	mm	Inch	mm	Inch	mm	Inch
62	2.44	18	0.07	40	0.15	63	0.24	32	0.12
102	4.01	48	1.21	70	0.27	88	0.34	32	0.12
152	5.98	78	0.30	100	3.93	118	4.64	32	0.12
222	8.74	128	0.50	150	5.90	150	5.90	32	0.12

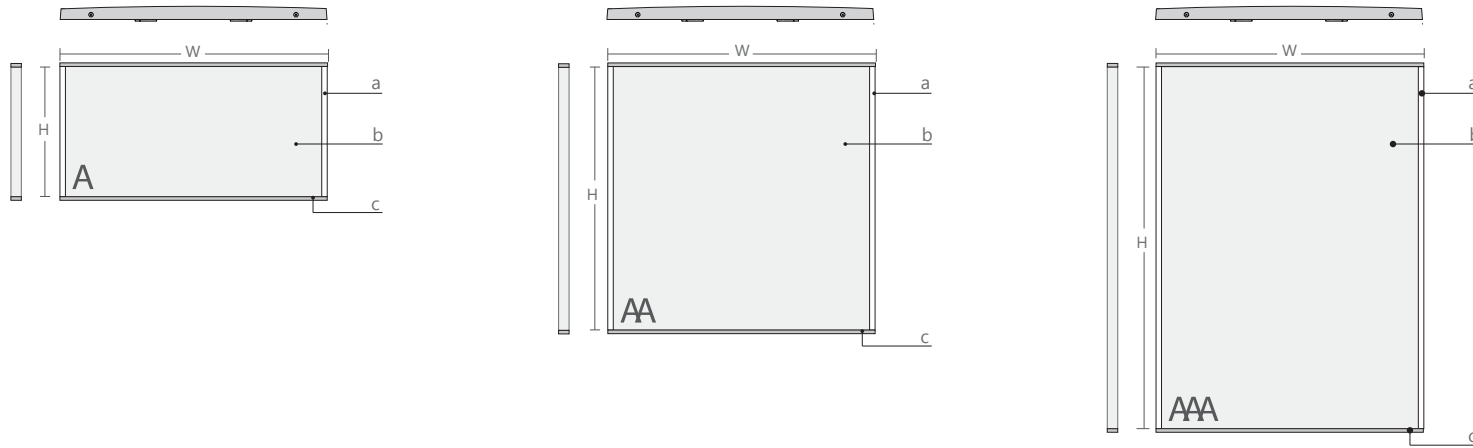
Standard sizes		A		AA		AAA	
No.	Part No.	H x W		H x W		H x W	
		mm	inch	mm	inch	mm	inch
1	Mir2029New			62 x 62	2.44 x 2.44	127 x 62	5 x 2.44
2	Mir2030New			102 x 102	4.01 x 4.01	152 x 102	6 x 4.01
3	Mir2031New	127 x 152	5 x 6	152 x 152	5.98 x 5.98	203 x 152	8 x 5.98
4	Mir2032New	152 x 222	6 x 8.74	222x 222	8.74 x 8.74	280x 222	11.7 x 8.74
5	Mir2294New	203 x 254	8 x 10	254 x 254	10 x 10		
6	Mir2157New	203 x 304	8 x 11.9	304 x 304	11.9 x 11.9	432 x 304	17 x 11.9
7	Mir2158New	305 x 404	12 x 15.9	404 x 404	15.9 x 15.9	605 x 404	24 x 15.9

**d**  
ACCENT BAR  
(available page no.\*)  
finish/color options:  
1. Standard Mirtec  
anodized colors  
2. Can be painted or  
powder coated

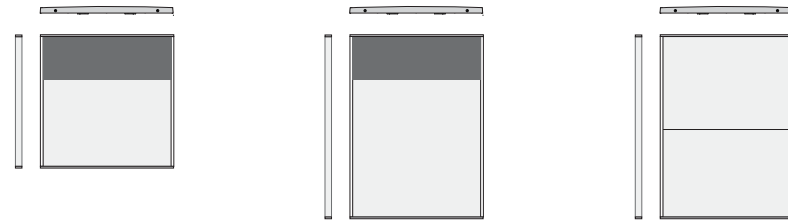


3.2





— STANDARD OPTIONS: —



Standard sizes		A		AA		AAA	
No.	Part No.	H x W		H x W		H x W	
		mm	inch	mm	inch	mm	inch
1	Mir2161	203 x 304	10 x 11.9	305 x 304	12 x 11.9	406 x 304	16 x 11.9
2	Mir2162	305 x 404	12 x 15.9	406 x 404	16 x 15.9	610 x 404	24 x 15.9
3	Mir2299	305 x 436	11 x 17	432 x 436	17 x 17	610 x 436	24 x 17
4	Mir2163	355 x 504	17 x 19.8	508 x 504	20 x 19.8	762 x 504	30 x 19.8
5	Mir2164	406 x 604	20 x 23.7	610 x 604	24 x 23.7	838 x 604	33 x 23.7

**d**  
**ACCENT BAR**  
 (available page no.\*)  
 Finish/color Options:  
 1. Standard Mirtec anodized Colors  
 2. can be painted or powder coated

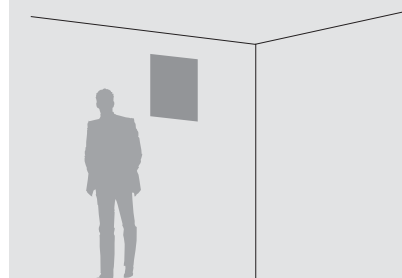


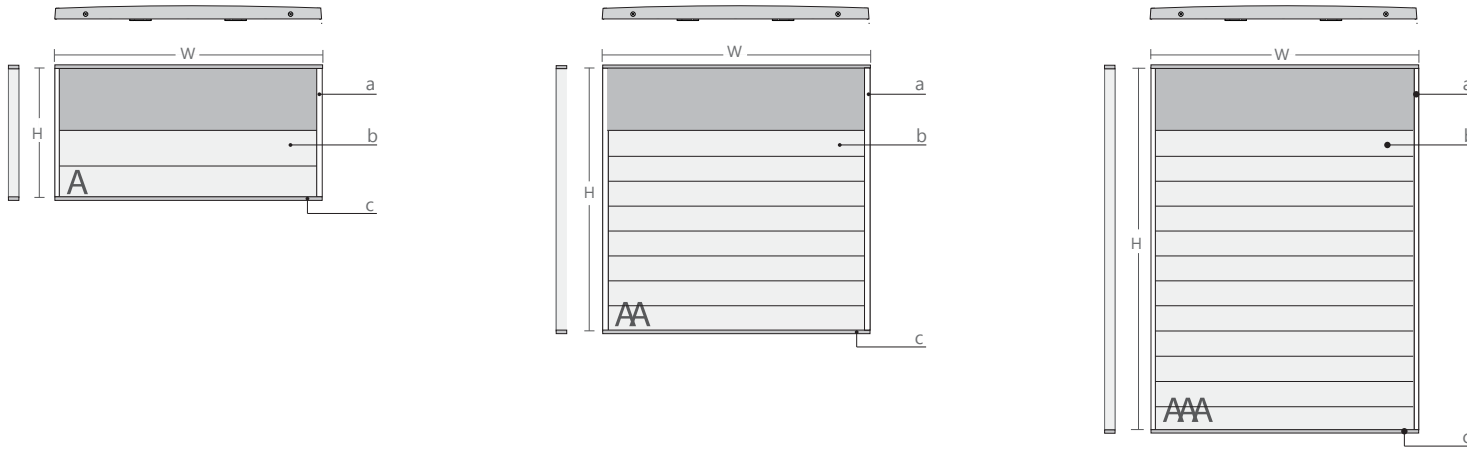
4.0

Venus Sign Family  
 Wall Mounted Directional

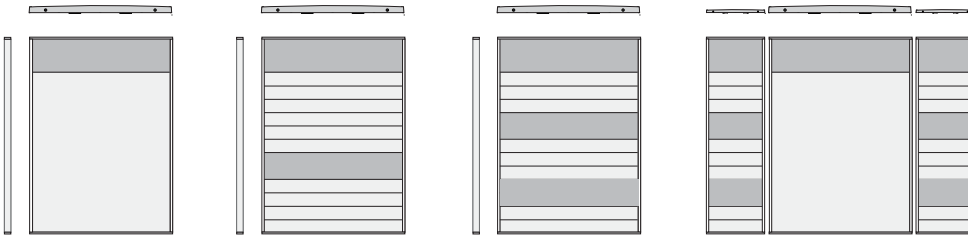
NOTES:

- a**  
 EXTRUSION finish/color options:  
 are made from high quality aluminum 6063 with an anodized or oven cured coating  
 1. Clear anodized aluminum
- b**  
 INSERT OPTIONS:  
 1. Graphic sign fronts:  
 engraved, laminated, silk screened, Imprinted with braille or photo metal finished  
 2. Applied vinyl on aluminum insert  
 3. 1. .040 aluminum backed photopolymer w/ raised symbols/copy and ADA compliant braille. Tip symbols/copy to contrast background Braille to remain background color  
 4. Acrylic cover w/ paper insert  
 5. Digital printing onto anodized aluminum by Primodize® or direct on clear cover
- PANELS  
 1. Plastic divider black or silver with strips of clear cover  
 2. Natural or anodized alum strips
- c**  
 END CAPS finish/color options:  
 1. Clear anodized aluminum  
 2. Can be painted or powder coated  
 3. Gray or black ABS plastic  
 4. Clear anodized aluminum base

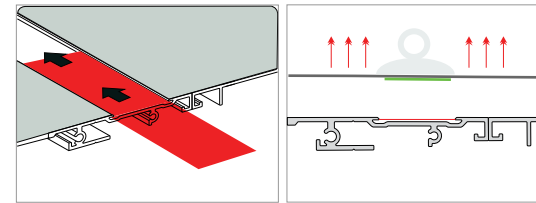




STANDARD OPTIONS:



ASSEMBLY:



b	Aluminum Panel Anodized / Natural						
mm	20	25	30	40	50	60	100
inch	0.79	1	1.18	1.57	1.97	2.36	3.94

b=Individual panel height. Thickness 2 mm/0.079inch

Standard sizes	No.	Part No.	A		AA		AAA	
			H x W		H x W		H x W	
			mm	inch	mm	inch	mm	inch
1	Mir2124P	178 x 222	7 x 8.74	222 x 222	8.74 x 8.74	305 x 222	12 x 8.74	
2	Mir2161P	254 x 304	10 x 11	304 x 304	11 x 11	405 x 304	16 x 11	
3	Mir2162P	305 x 404	12 x 15.9	404 x 404	15.9 x 15.9	605 x 404	24 x 15.9	
4	Mir2299P	305 x 436	12 x 17	436 x 436	17 x 17	605 x 436	24 x 17	
5	Mir2163P	436 x 504	17 x 19.8	504 x 504	19.8 x 19.8	813 x 504	32 x 19.8	
6	Mir2164P	508 x 604	20 x 23.7	604 x 604	23.7 x 23.7	1020 x 604	40 x 23.7	

**d**  
ACCENT BAR  
(available page no.\*)  
Finish/color Options:  
1. Standard Mirtec anodized colors  
2. can be painted or powder coated



4.1

## Venus Sign Family

### Directory with Aluminum Panels

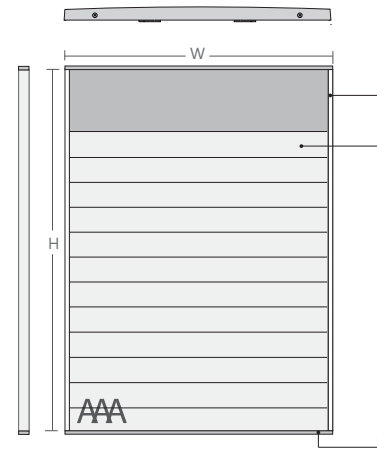
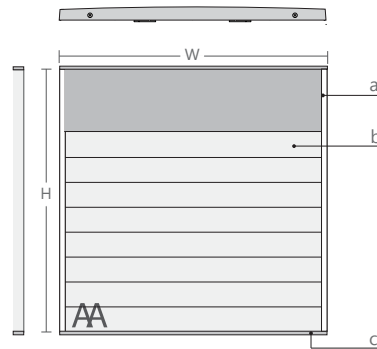
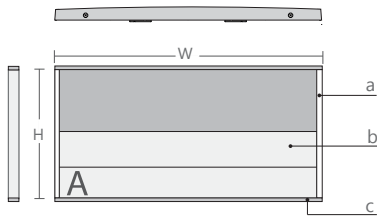
NOTES:

**a**  
EXTRUSION finish/color options:  
are made from high quality aluminum 6063 with an anodized or oven cured coating  
1. Clear anodized aluminum

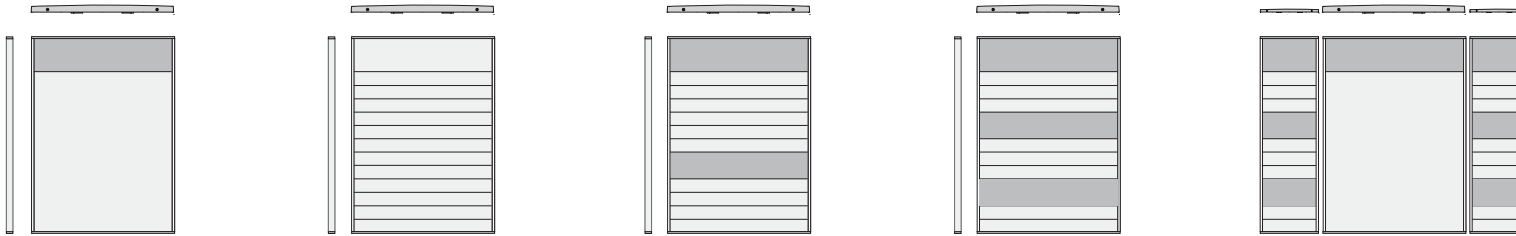
**b**  
INSERT OPTIONS:  
1. Graphic sign fronts:  
engraved, laminated, silk screened, Imprinted with braille or photo metal finished  
2. Applied vinyl on aluminum insert  
3. 1. .040 aluminum backed photopolymer w/ raised symbols/copy and ADA compliant braille. Tip symbols/copy to contrast background braille to remain background color  
4. Acrylic cover w/ paper insert  
5. Digital printing onto anodized aluminum by Primodize® or direct on clear cover

PANELS  
1. Natural or anodized alum strips

**c**  
END CAPS finish/color options:  
1. Clear anodized aluminum  
2. Can be painted or powder coated  
3. Gray or black ABS plastic  
4. Clear anodized aluminum base



— STANDARD OPTIONS: —



	Plastic Panel Clear Lens					Plastic Dividers Hight Black / Silver	
mm	30	40	50	60	100	3	6
inch	1.18	1.57	1.96	2.36	3.93	0.118	0.236

Thickness 2mm / 0.079inch

Thickness 1mm / 0.039inch, 1.5mm / 0.059, 2mm / 0.079inch

No.	Part No.	A		AA		AAA	
		H x W		H x W		H x W	
		mm	inch	mm	inch	mm	inch
1	Mir2124	178 x 222	7 x 8.74	222 x 222	8.74 x 8.74	305 x 222	12 x 8.74
2	Mir2161	254 x 304	10 x 11	304 x 304	11 x 11	405 x 304	16 x 11
3	Mir2162	305 x 404	12 x 15.9	404 x 404	15.9 x 15.9	605 x 404	24 x 15.9
4	Mir2229	305 x 436	12 x 17	436 x 436	17 x 17	605 x 436	24 x 17
5	Mir2163	436 x 504	17 x 19.8	504 x 504	19.8 x 19.8	813 x 504	32 x 19.8
6	Mir2164	508 x 604	20 x 23.7	604 x 604	23.7 x 23.7	1020 x 604	40 x 23.7

d

ACCENT BAR  
(available page no.\*)  
Finish/color Options:

1. Standard Mirtec anodized colors
2. can be painted or powder coated



4.2

Venus Sign Family  
Directory with Plastic Panels

NOTES:

a

EXTRUSION finish/color options:  
are made from high quality aluminum 6063 with an anodized or oven cured coating

1. Clear anodized aluminum

b

INSERT OPTIONS:

1. Graphic sign fronts:  
engraved, laminated, silk screened, Imprinted with braille or photo metal finished
2. Applied vinyl on aluminum insert
3. 1. .040 aluminum backed photopolymer w/ raised symbols/copy and ADA compliant braille. Tip symbols/copy to contrast background braille to remain background color
4. Acrylic cover w/ paper insert
5. Digital printing onto anodized aluminum by Primodize® or direct on clear cover

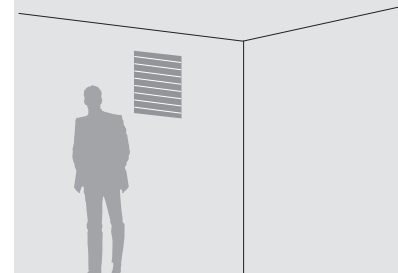
PANELS

1. Plastic divider black or silver with strips of clear cover

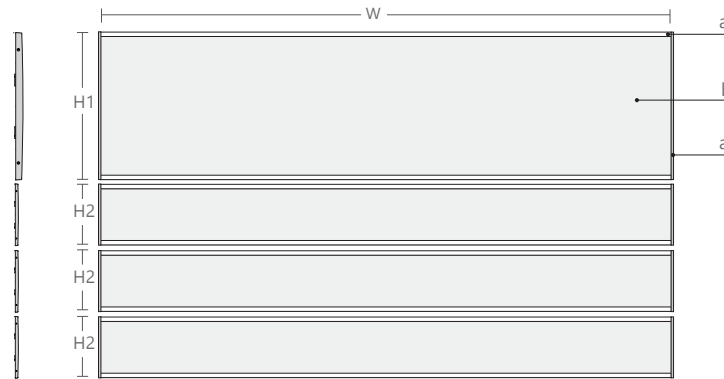
c

END CAPS finish/color options:

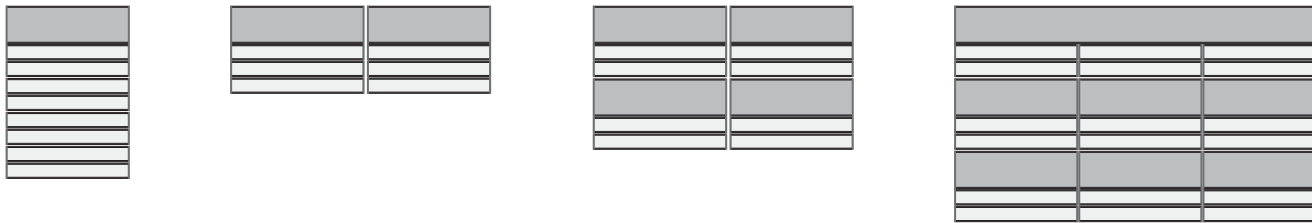
1. Clear anodized aluminum
2. Can be painted or powder coated
3. Gray or black ABS plastic
4. Clear anodized aluminum base







STANDARD OPTIONS:



Standart sizes

No.	Part No.	H1-Header			H2-Sub Header			W	
		mm	inch	Quantity	mm	inch	Quantity	mm	inch
1	Mir2037				62	2.44			
2	Mir2038	102	4.01		102	4.01			
3	Mir2039	152	6		152	6			
4	Mir2040	222	8.74		222	8.74			
5	Mir2161	304	11.9						



4.3

Venus Sign Family  
Directory Multi Extrusions

NOTES:

a

EXTRUSION finish/color options: are made from high quality aluminum 6063 with an anodized or oven cured coating

1. Clear anodized aluminum

b

INSERT OPTIONS:

1. Graphic sign fronts: engraved, laminated, silk screened, Imprinted with braille or photo metal finished
2. Applied vinyl on aluminum insert
3. 1. .040 aluminum backed photopolymer w/ raised symbols/copy and ADA compliant braille. Tip symbols/copy to contrast background Braille to remain background color
4. Acrylic cover w/ paper insert
5. Digital printing onto anodized aluminum by Primodize® or direct on clear cover

c

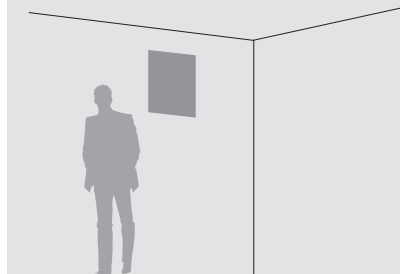
END CAPS finish/color options:

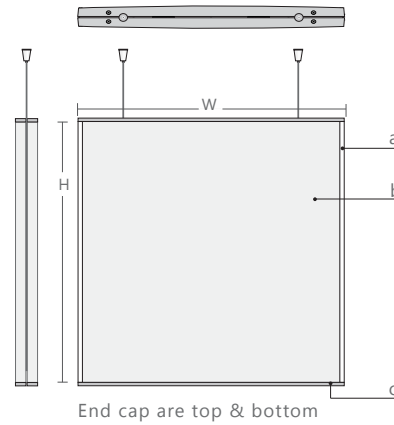
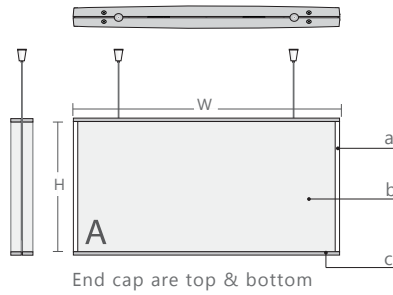
1. Clear anodized aluminum
2. Can be painted or powder coated
3. Gray or black ABS plastic

d

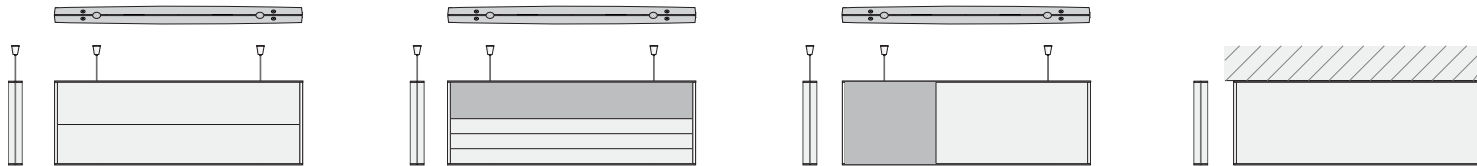
ACCENT BAR (available page no.\*) finish/color options:

1. Standard Mirtec anodized colors
2. Can be painted or powder coated





— STANDARD OPTIONS: —



Standard sizes		A		AA	
No.	Part No.	H x W		H x W	
		mm	inch	mm	inch
1	Mir2165	203 x 304	8 x 11.9	304 x 304	11.9 x 11.9
2	Mir2282	203 x 404	8 x 15.9	404 x 404	15.9 x 15.9
3	Mir2268	203 x 504	8 x 19.8	504 x 504	19.8 x 19.8
4	Mir2269	203 x 604	8 x 23.7	604 x 604	23.7 x 23.7



5.0

Venus Sign Family  
Suspended Directional

NOTES:

**a**

EXTRUSION finish/color options:  
are made from high quality aluminum 6063 with an anodized or oven cured coating

1. clear anodized aluminum

**b**

INSERT OPTIONS:

1. Graphic sign fronts: engraved, laminated, silk screened, Imprinted with braille or photo metal finished
2. Applied vinyl on aluminum insert
3. 1. .040 aluminum backed photopolymer w/ raised symbols/copy and ADA compliant braille. Tip symbols/copy to contrast background Braille to remain background color
4. Acrylic cover w/ paper insert
5. Digital printing onto anodized aluminum by Primodize® or direct on clear cover

PANELS

1. Plastic divider black or silver with strips of clear cover
2. Natural or anodized alum strips

**c**

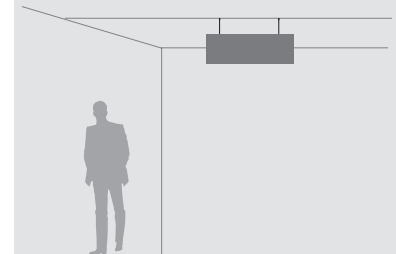
END CAPS finish/color options:

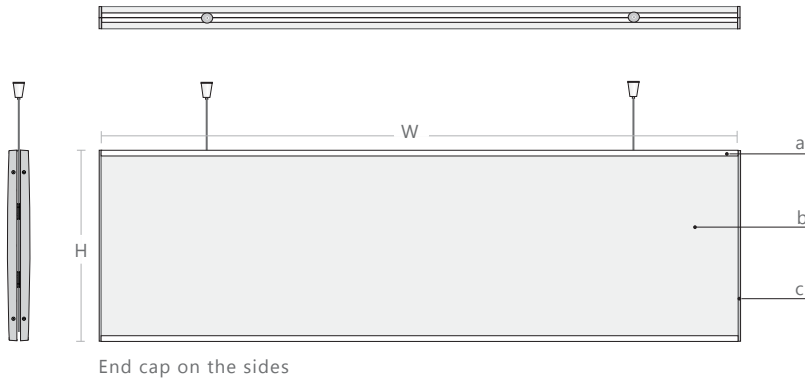
1. Clear anodized aluminum
2. Can be painted or powder coated
3. Gray or black ABS plastic

**d**

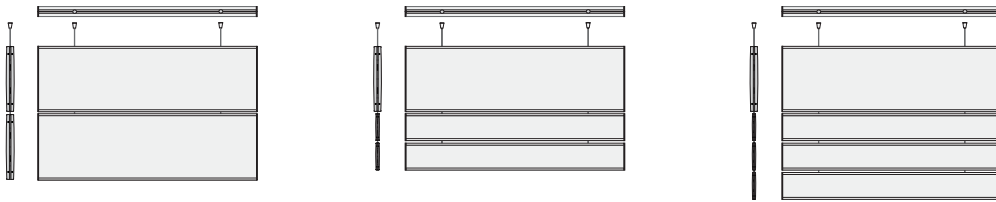
ACCENT BAR (available page no.\*)

- finish/color options:
1. Standard Mirtec anodized colors
  2. Can be painted or powder coated





STANDARD OPTIONS:



Standard sizes

No.	Part No.	H x W	
		mm	inch
1	Mir2126	102 x 605	4.01 x 24
2	Mir2127	152 x 818	5.98 x 32
3	Mir2128	222 x 914	8.74 x 36
4	Mir1106	300 x 914	11.8 x 36



5.1

## Venus Sign Family Suspended Directional

NOTES:

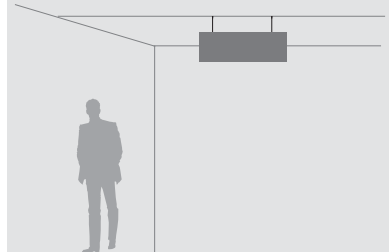
- a**  
EXTRUSION finish/color options:  
are made from high quality aluminum 6063 with an anodized or oven cured coating
1. clear anodized aluminum

- b**  
INSERT OPTIONS:
1. Graphic sign fronts: engraved, laminated, silk screened, Imprinted with braille or photo metal finished
  2. Applied vinyl on aluminum insert
  3. 1. .040 aluminum backed photopolymer w/ raised symbols/copy and ADA compliant braille. Tip symbols/copy to contrast background Braille to remain background color
  4. Acrylic cover w/ paper insert
  5. Digital printing onto anodized aluminum by Primodize® or direct on clear cover

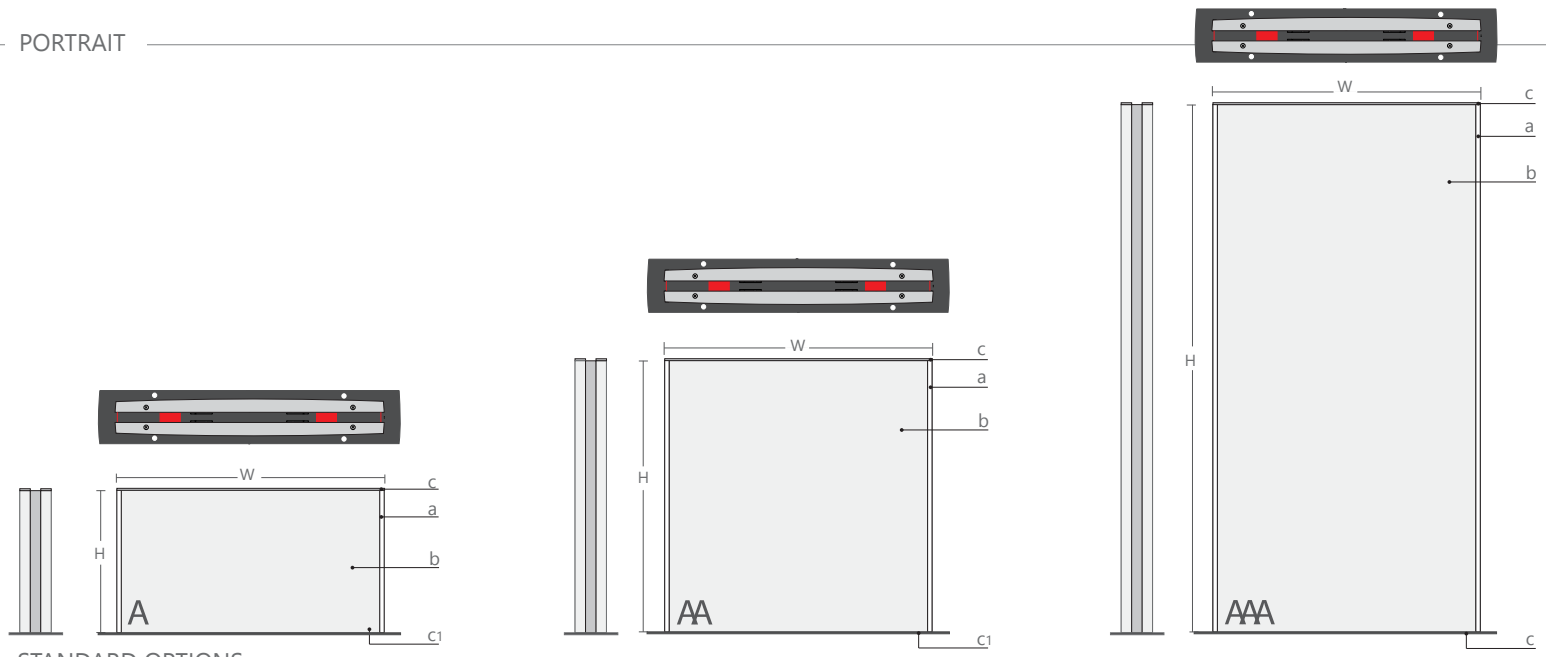
- PANELS
1. Plastic divider black or silver with strips of clear cover
  2. Natural or anodized alum strips

- c**  
END CAPS finish/color options:
1. Clear anodized aluminum
  2. Can be painted or powder coated
  3. Gray or black ABS plastic

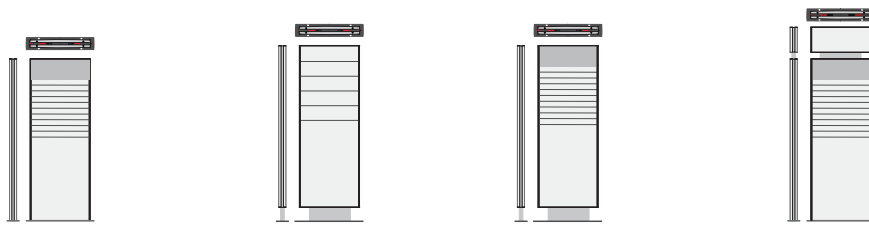
- d**  
ACCENT BAR (available page no.\*)  
finish/color options:
1. Standard Mirtec anodized colors
  2. Can be painted or powder coated



# Venus Sign Family Base Mount Stand



STANDARD OPTIONS:



NOTES:

**a**  
EXTRUSION finish/color options:  
are made from high quality aluminum  
6063 with an anodized or oven cured  
coating  
1. clear anodized aluminum

**b**  
INSERT OPTIONS:  
1. Painting on aluminum insert w/ graphics  
2. Digital output w/ acrylic cover  
3. Digital printing into anodized  
aluminum by Primodize®

EXTRUSION finish/color options:  
1. Mirtec anodized aluminum  
2. Painted standard colors  
3. Powder coating  
PANELS

1. Plastic divider black or silver with  
strips of clear cover  
2. Natural or anodized alum strips

**c**  
END CAPS finish/color options:  
1. clear anodized aluminum  
2. aluminum end cap painted  
standard or custom colors

**c1**  
BASE:  
Provided by Mirtec as painted  
galvanized steel w/ pre drilled  
holes to accept mounting screws

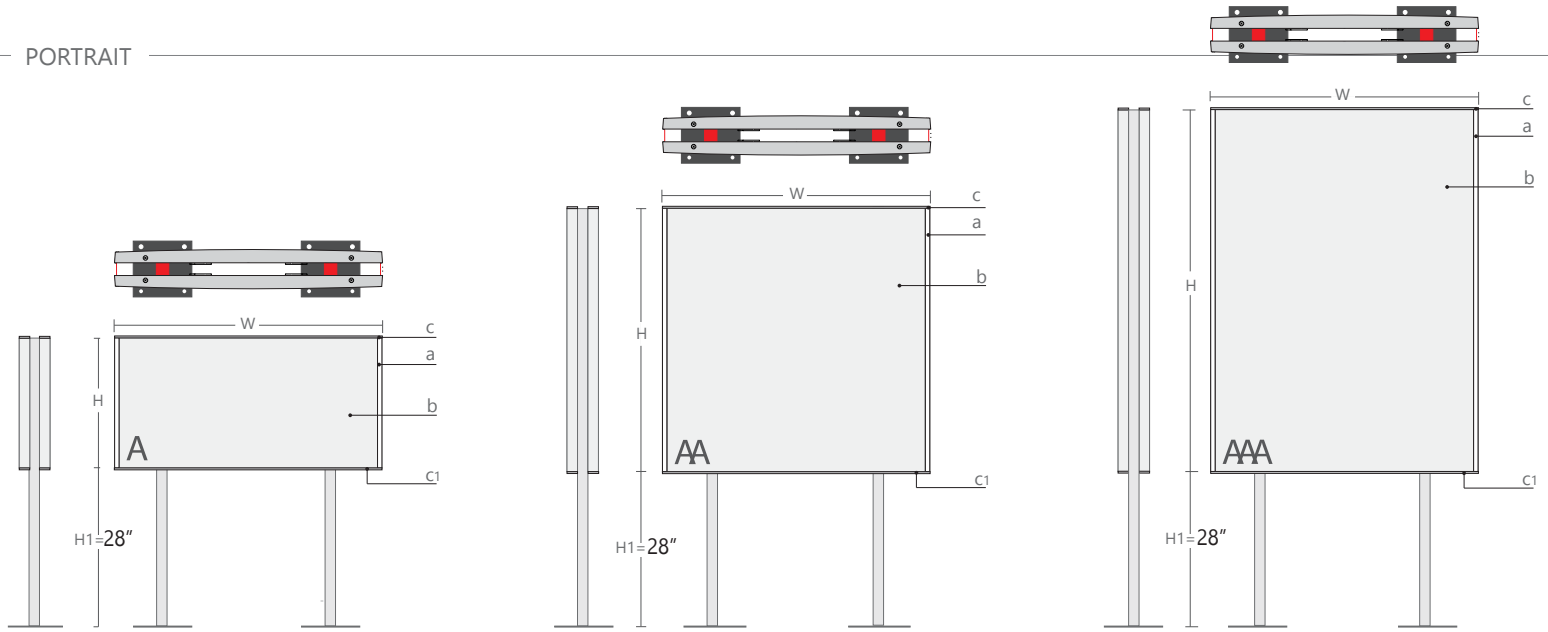
MOUNTING:  
Fabricator to utilize all  
thread and acorn nut method for  
floor mounting and provide no less  
than (6) six mounting screws for  
painted black galvanized steel base.  
freestanding option available.

Standard sizes		A		AA		AAA	
No.	Part No.	H x W		H x W		H x W	
		mm	inch	mm	inch	mm	inch
1	Mir2176	254x 504	10 x 19.8	406 x 504	16 x 19.8	1981 x 504	78 x 19.8
2	Mir2177	305 x 604	12 x 23.7	508 x 604	20 x 23.7	1981 x 604	78 x 23.7

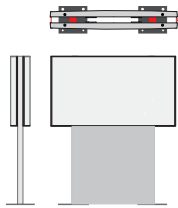
**d**  
ACCENT BAR  
(available page no.\*)  
Finish/color Options:  
1. Standard Mirtec anodized  
colors  
2. can be painted or powder  
coated



6.0



— STANDARD OPTIONS: —



Standard sizes		A		AA		AAA	
No.	Part No.	H x W		H x W		H x W	
		mm	inch	mm	inch	mm	inch
1	Mir2178	305x 504	12 x 19.8	504 x 504	19.8 x 19.8	1067 x 504	42 x 19.8
2	Mir2179	406 x 604	16 x 23.7	604 x 604	23.7 x 23.7	1194 x 604	47 x 23.7

**d**  
**ACCENT BAR**  
 (available page no.)\*  
 Finish/color Options:  
 1. Standard Mirtec anodized colors  
 2. can be painted or powder coated



6.1

Venus Sign Family  
 Pylon Post - 2 Pole

NOTES:

**a**

EXTRUSION finish/color options:  
 are made from high quality aluminum 6063 with an anodized or oven cured coating  
 1. clear anodized aluminum

**b**

INSERT OPTIONS:  
 1. Painting on aluminum insert w/ graphics  
 2. Digital output w/ acrylic cover  
 3. Digital printing into anodized aluminum by Primodize®

Extrusion finish/color options:  
 1. Mirtec anodized aluminum  
 2. Painted standard colors  
 3. Powder coating  
**PANELS**

1. Plastic divider black or silver with strips of clear cover  
 2. Natural or anodized alum strips

**c**

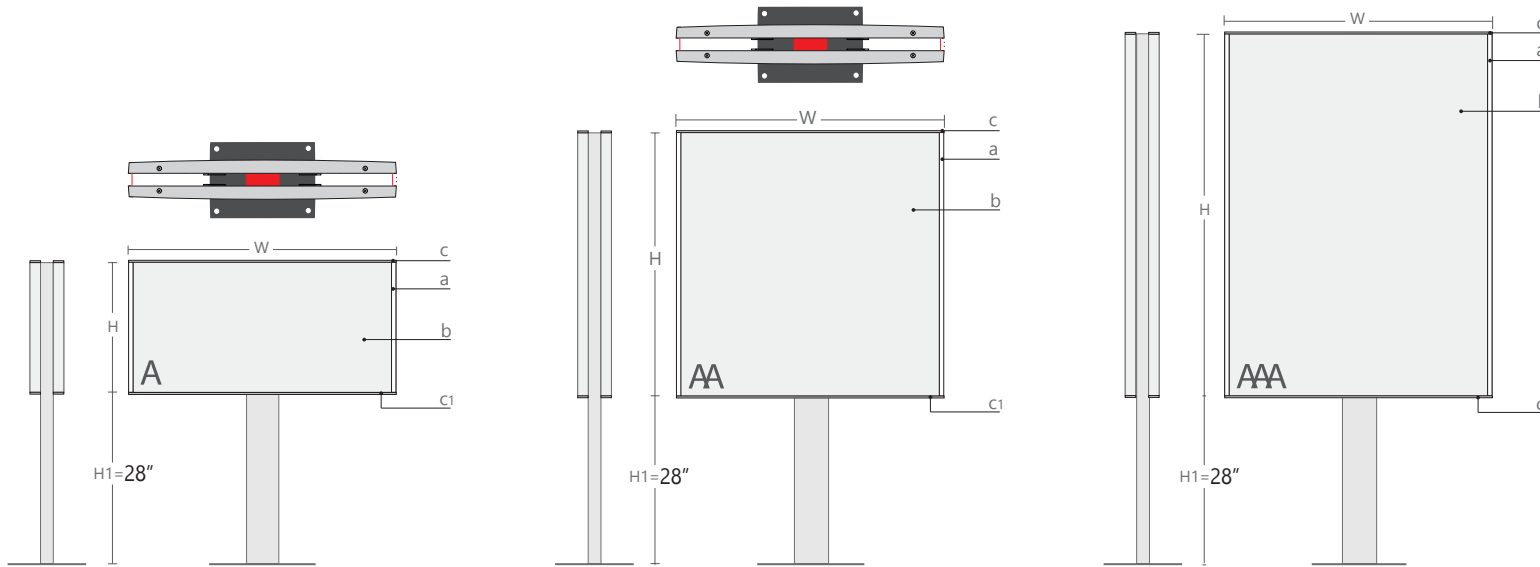
END CAPS finish/color options:  
 1. clear anodized aluminum  
 2. aluminum end cap painted standard or custom colors

**c1**

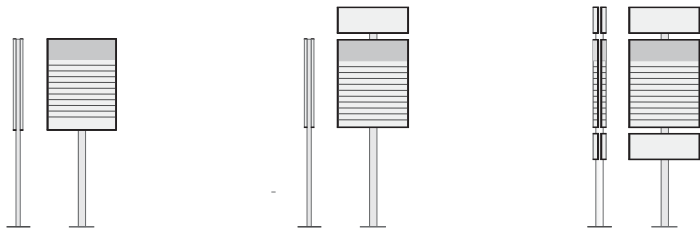
POLE & BASE:  
 Provided by Mirtec as painted galvanized steel w/ pre drilled holes to accept mounting screws

**MOUNTING:**  
 Fabricator to utilize all thread and acorn nut method for floor mounting and provide no less than (6) six mounting screws for painted black galvanized steel base. freestanding option available.





STANDARD OPTIONS:



Venus Sign Family  
Pylon Post -1 Pole

NOTES:

**a**  
EXTRUSION finish/color options:  
are made from high quality aluminum  
6063 with an anodized or oven cured  
coating  
1. clear anodized aluminum

**b**  
INSERT OPTIONS:  
1. Painting on aluminum insert w/ graphics  
2. Digital output w/ acrylic cover  
3. Digital printing into anodized  
aluminum by Primodize®

Extrusion finish/color options:  
1. Mirtec anodized aluminum  
2. Painted standard colors  
3. Powder coating  
PANELS

1. Plastic divider black or silver with  
strips of clear cover  
2. Natural or anodized alum strips

**c**  
END CAPS finish/color options:  
1. clear anodized aluminum  
2. aluminum end cap painted  
standard or custom colors

**c1**  
POLE & BASE:  
Provided by Mirtec as painted  
galvanized steel w/ pre drilled  
holes to accept mounting screws  
MOUNTING:  
Fabricator to utilize all  
thread and acorn nut method for  
floor mounting and provide no less  
than (6) six mounting screws for  
painted black galvanized steel base.  
freestanding option available.

Standard sizes	No.	Part No.	A		AA		AAA	
			H x W	H x W	H x W	H x W		
			mm	inch	mm	inch	mm	inch
	1	Mir2019P			280 x 222	11.7 x 8.74	280 x 221	11 x 8.70
	2	Mir2137P	254 x 304	10 x 11.9	304 x 304	11.9 x 11.9	432 x 304	17 x 11.9
	3	Mir2138P	305 x 404	12 x 15.9	404 x 404	15.9 x 15.9	504 x 404	19.8 x 15.9

**d**  
ACCENT BAR  
(available page no.\*)  
Finish/color Options:  
1. Standard Mirtec anodized  
colors  
2. can be painted or powder  
coated



6.2