

Jupiter - Orion sign family

Spec sheets by application and sign type



Room ID

1.

- Identification
- Personal Identification
- Conference RI
- Exit
- Wayfinding
- Regulatory
- Life Safety
- Workstation



Desktop

2.

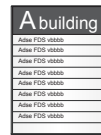
- Personal Identification
- Workstation



Projecting

3.

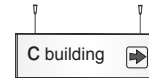
- Symbol
- Restroom
- Pictogram



Directory

4.

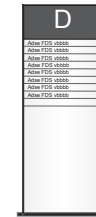
- Wayfinding
- Information Holder
- Donor
- Evacuation
- Promotion
- Commercial



Suspended directional

5.

- Wayfinding
- Information

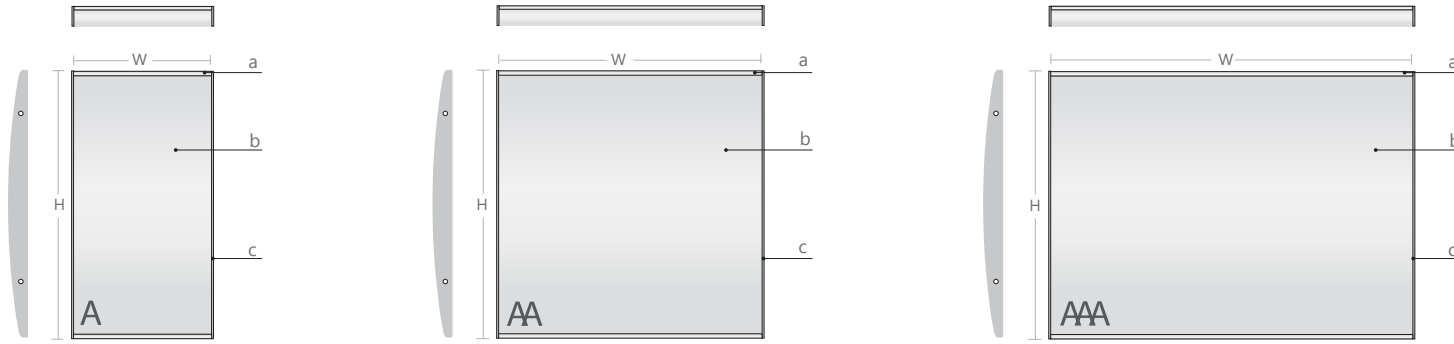


Stand

6.

- Wayfinding
- Information
- Commercial
- Promotion

LANDSCAPE



STANDARD OPTIONS:



Standart sizes	No.	Part No.	A		AA		AAA	
			H x W		H x W		H x W	
			mm	inch	mm	inch	mm	inch
	1	Mir0973					40 x 127	3 x 5
	2	Mir0974	60 x 38	2.36 x 1.49	60 x 60	2.36 x 2.36	60 x 152	2.36 x 6
	3	Mir0975	80 x 51	3.14 x 2	80 x 80	3.14 x 3.14	80 x 152	3.14 x 6
	4	Mir0976	100 x 76	3.93 x 3	100 x 102	3.93 x 4	100 x 204	3.93 x 8
	5	Mir0977	120 x 102	4.72 x 4	120 x 120	4.72 x 4.72	120 x 204	4.72 x 8
	6	Mir0978	150 x 102	5.90 x 4	150 x 152	5.90 x 6	150 x 254	5.90 x 10
	7	Mir0979	200 x 152	7.87 x 6	200 x 203	7.87 x 8	200 x 305	7.87 x 12
	8	Mir1095	217 x 150	8.54 x 5.90	217 x 217	8.54 x 8.54	217 x 297	8.54 x 11.6
	9	Mir0979A	221 x 152	8.70 x 6	221 x 221	8.70 x 8.70	221 x 280	8.70 x 11



1.0

Jupiter / Orion Sign Family

Room ID

Mirtec Navigator Application E
Name Plate, Door Sign, Cubical, Conference Room,
Miscellaneous ID, Suite ID, Policy Sign, In Use Slide,
ADA Room ID

NOTES:

a

EXTRUSION finish/color options:
are made from high quality aluminum
6063 with an anodized or oven cured
coating

1. Clear anodized aluminum

b

INSERT OPTIONS:

1. Graphic sign fronts:
engraved, laminated, silk screened,
Imprinted with braille or photo metal
finished
2. Applied vinyl on aluminum insert
3. 1. .040 aluminum backed
photopolymer w/ raised
symbols/copy and ADA compliant
braille. Tip symbols/copy to contrast
background. braille to remain
background color
4. Acrylic cover w/ paper insert
5. Digital printing onto anodized
aluminum by Primodize ® or direct
on clear cover

c

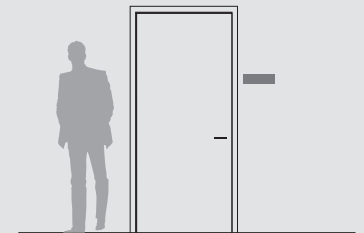
END CAPS finish/color options:

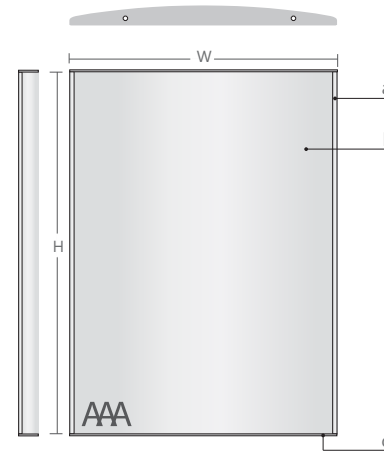
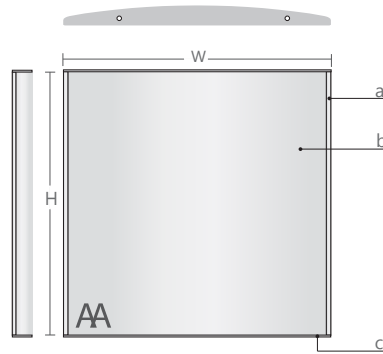
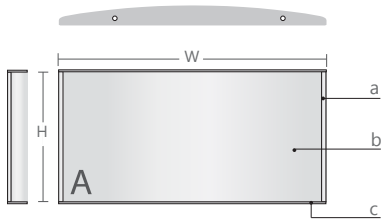
1. Clear anodized aluminum
2. Can be painted or powder coated
3. Gray or black ABS plastic

d

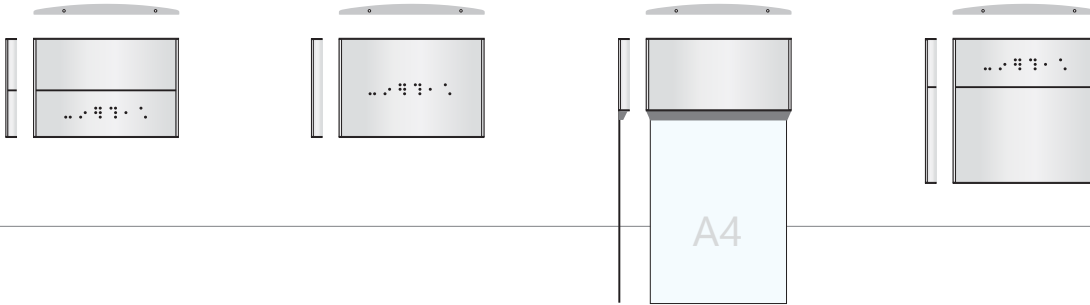
ACCENT BAR (available page no.*)

- finish/color options:
1. Standard Mirtec anodized colors
 2. Can be painted or powder coated





— STANDARD OPTIONS: —



Standard sizes		A		AA		AAA	
No.	Part No.	H x W		H x W		H x W	
		mm	inch	mm	inch	mm	inch
1	Mir0976	76 x 100	3 x 3.94	102 x 100	4 x 3.94	203 x 100	8 x 3.94
2	Mir0977	102 x 120	4 x 4.72	127 x 120	5 x 4.72	203 x 120	8 x 4.72
3	Mir0978	102 x 150	4 x 5.90	152 x 150	6 x 5.90	203 x 150	8 x 5.90
4	Mir0979	152 x 200	6 x 7.87	203 x 200	8 x 7.87	254 x 200	10 x 7.87
5	Mir1095	150 x 217	5.90 x 8.54	217 x 217	8.54 x 8.54	297 x 217	11.6 x 8.54
6	Mir0979A	152 x 221	6 x 8.70	221 x 221	8.70 x 8.70	280 x 221	11.0 x 8.70



1.1

Jupiter / Orion Sign Family

Room ID

Mirtec Navigator Application E
Name Plate, Door Sign, Cubical, Conference Room,
Miscellaneous ID, Suite ID, Policy Sign, In Use Slide,
ADA Room ID

NOTES:

a

EXTRUSION finish/color options:
are made from high quality aluminum
6063 with an anodized or oven cured
coating

1. Clear anodized aluminum

b

INSERT OPTIONS:

1. Graphic sign fronts:
engraved, laminated, silk screened,
Imprinted with braille or photo metal
finished
2. Applied vinyl on aluminum insert
3. 1. .040 aluminum backed
photopolymer w/ raised
symbols/copy and ADA compliant
braille. Tip symbols/copy to contrast
background. braille to remain
background color
4. Acrylic cover w/ paper insert
5. Digital printing onto anodized
aluminum by Primodize ® or direct
on clear cover

c

END CAPS finish/color options:

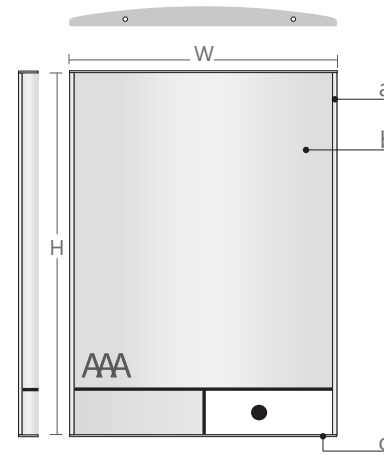
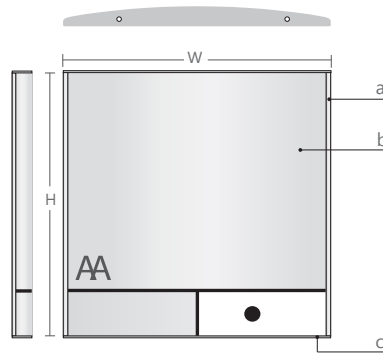
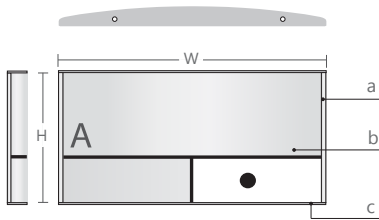
1. Clear anodized aluminum
2. Can be painted or powder coated
3. Gray or black ABS plastic

d

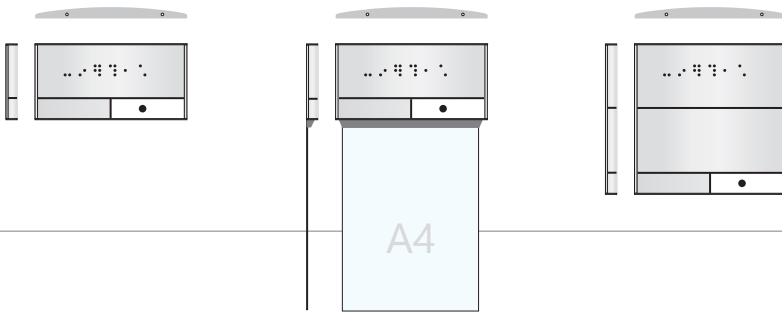
ACCENT BAR (available page no.*)
finish/color options:

1. Standard Mirtec anodized colors
2. Can be painted or powder coated





— STANDARD OPTIONS: —



Standard sizes	No.	Part No.	A		AA		AAA	
			H x W	H x W	H x W	H x W		
			mm	inch	mm	inch	mm	inch
	1	Mir0977	102 x 120	4 x 4.72	127 x 120	5 x 4.72	152 x 120	6 x 4.72
	2	Mir0782	102 x 150	4 x 5.90	152 x 150	6 x 5.90	203 x 150	8 x 5.90
	3	Mir0783	152 x 200	6 x 7.87	203 x 200	8 x 7.87	305 x 200	12 x 7.87
	4	Mir1095	150 x 217	5.90 x 8.54	217 x 217	8.54 x 8.54	297 x 217	11.6 x 8.54
	5	Mir0784	152 x 221	6 x 8.70	221 x 221	8.70 x 8.70	280 x 221	11.0 x 8.70



1.2

Jupiter / Orion Sign Family
Room ID In Use Slider

Mirtec Navigator Application E
Name Plate, Door Sign, Cubical, Conference Room,
Miscellaneous ID, Suite ID, Policy Sign, In Use Slide,
ADA Room ID

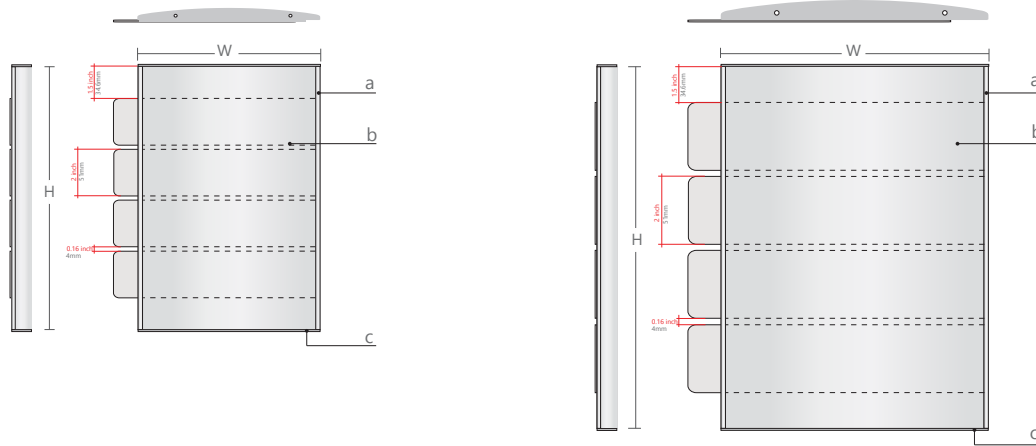
NOTES:

- a**
EXTRUSION finish/color options:
are made from high quality aluminum 6063 with an anodized or oven cured coating
1. Clear anodized aluminum
- b**
INSERT OPTIONS:
1. Graphic sign fronts:
engraved, laminated, silk screened, Imprinted with braille or photo metal finished
 2. Applied vinyl on aluminum insert
 3. 1. .040 aluminum backed photopolymer w/ raised symbols/copy and ADA compliant braille. Tip symbols/copy to contrast background. braille to remain background color
 4. Acrylic cover w/ paper insert
 5. Digital printing onto anodized aluminum by Primodize® or direct on clear cover

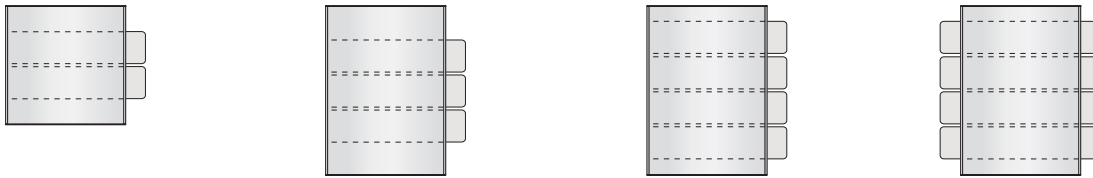
- c**
END CAPS finish/color options:
1. Clear anodized aluminum
 2. Can be painted or powder coated
 3. Gray or black ABS plastic

- d**
ACCENT BAR (available page no.*)
finish/color options:
1. Standard Mirtec anodized colors
 2. Can be painted or powder coated





— STANDARD OPTIONS: —



Standard sizes

No.	Part No.	H x W		H x W		H x W	
		mm	inch	mm	inch	mm	inch
1	Mir0777PT1*	183 x 150	7.20 x 5.90	237 x 150	9.33 x 5.90	291 x 150	11.4 x 5.90
2	Mir0777PT2*	183 x 150	7.20 x 5.90	237 x 150	9.33 x 5.90	291 x 150	11.4 x 5.90
3	Mir0778PT1*	183 x 200	7.20 x 7.87	237 x 200	9.33 x 7.87	291 x 200	11.4 x 7.87
4	Mir0778PT2*	183 x 200	7.20 x 7.87	237 x 200	9.33 x 7.87	291 x 200	11.4 x 7.87

PT1* = One side PT2* = Both sides



1.3

Jupiter / Orion Sign Family Sign with Pull Tabs

Mirtec Navigator Application E
Name Plate, Door Sign, Cubical, Conference Room,
Miscellaneous ID, Suite ID, Policy Sign, In Use Slide,
ADA Room ID

NOTES:

a

EXTRUSION finish/color options:
are made from high quality aluminum
6063 with an anodized or oven cured
coating
1. Clear anodized aluminum

b

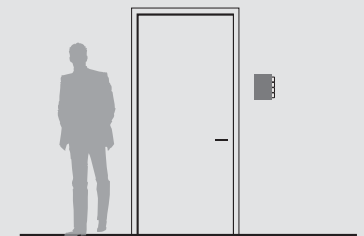
INSERT OPTIONS:
1. Graphic sign fronts:
engraved, laminated, silk screened,
Imprinted with braille or photo metal
finished
2. Applied vinyl on aluminum insert
3. 1. .040 aluminum backed
photopolymer w/ raised
symbols/copy and ADA compliant
braille. Tip symbols/copy to contrast
background. braille to remain
background color
4. Acrylic cover w/ paper insert
5. Digital printing onto anodized
aluminum by Primodize ® or direct
on clear cover

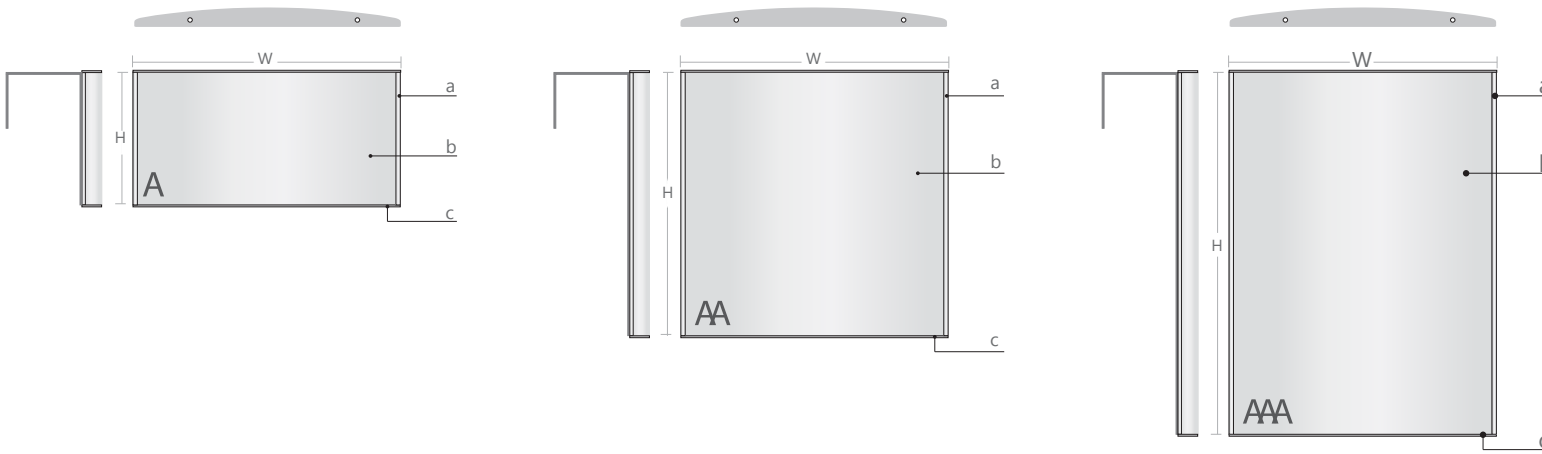
c

END CAPS finish/color options:
1. Clear anodized aluminum
2. Can be painted or powder coated
3. Gray or black ABS plastic

d

ACCENT BAR (available page no.*)
finish/color options:
1. Standard Mirtec anodized colors
2. Can be painted or powder coated

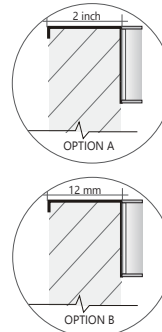




— INSTALLATION OPTIONS: —



Standard sizes		A		AA		AAA	
No.	Part No.	H x W		H x W		H x W	
		mm	inch	mm	inch	mm	inch
1	Mir0976Q	76 x 100	3 x 3.94	102 x 100	4 x 3.94	203 x 100	8 x 3.94
2	Mir0977Q	102 x 120	4 x 4.72	127 x 120	5 x 4.72	203 x 120	8 x 4.72
3	Mir0779	102 x 150	4 x 5.90	152 x 150	6 x 5.90	203 x 150	8 x 5.90
4	Mir0780	152 x 200	6 x 7.87	203 x 200	8 x 7.87	254 x 200	10 x 7.87
5	Mir1095Q	150 x 217	5.90 x 8.54	217 x 217	8.54 x 8.54	297 x 217	11.6 x 8.54
6	Mir0781	152 x 221	6 x 8.70	221 x 221	8.70 x 8.70	280 x 221	11.0 x 8.70



1.4

Jupiter / Orion Sign Family Cubicle

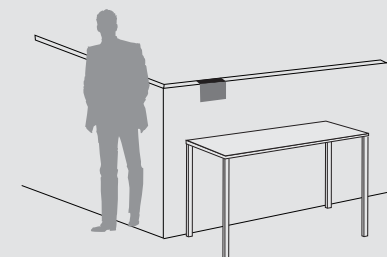
Mirtec Navigator Application E
Name Plate, Door Sign, Cubical, Conference Room,
Miscellaneous ID, Suite ID, Policy Sign, In Use Slide,
ADA Room ID

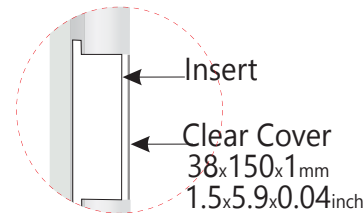
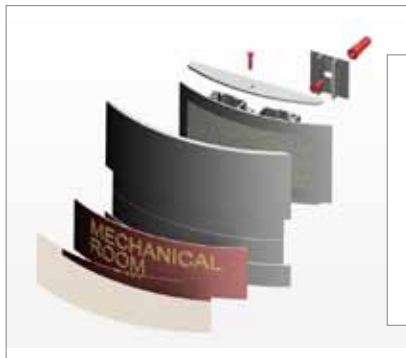
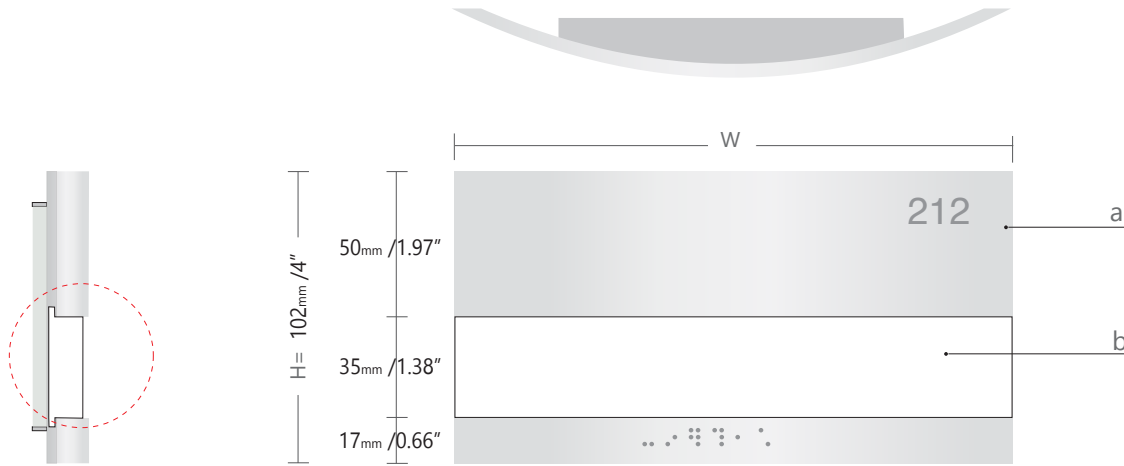
NOTES:

- a**
- EXTRUSION finish/color options:
are made from high quality aluminum
6063 with an anodized or oven cured
coating
1. Clear anodized aluminum
- b**
- INSERT OPTIONS:
1. Graphic sign fronts:
engraved, laminated, silk screened,
Imprinted with braille or photo metal
finished
 2. Applied vinyl on aluminum insert
 3. 1. .040 aluminum backed
photopolymer w/ raised
symbols/copy and ADA compliant
braille. Tip symbols/copy to contrast
background. braille to remain
background color
 4. Acrylic cover w/ paper insert
 5. Digital printing onto anodized
aluminum by Primodize® or direct
on clear cover

- c**
- END CAPS finish/color options:
1. Clear anodized aluminum
 2. Can be painted or powder coated
 3. Gray or black ABS plastic

- d**
- ACCENT BAR (available page no.*)
finish/color options:
1. Standard Mirtec anodized colors
 2. Can be painted or powder coated





1.5

Standard sizes **A**

No.	Part No.	H x W	
		mm	inch
1	Mir1232	102 x 150	4 x 5.90
2	Mir1233	102 x 200	4 x 8.78

Jupiter / Orion Sign Family Window Panel

Mirtec Navigator Application E
Name Plate, Door Sign, Cubical, Conference Room,
Miscellaneous ID, Suite ID, Policy Sign, In Use Slide,
ADA Room ID

NOTES:

a

EXTRUSION finish/color options:
are made from high quality aluminum
6063 with an anodized or oven cured
coating

1. Clear anodized aluminum

b

INSERT OPTIONS:

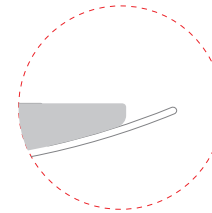
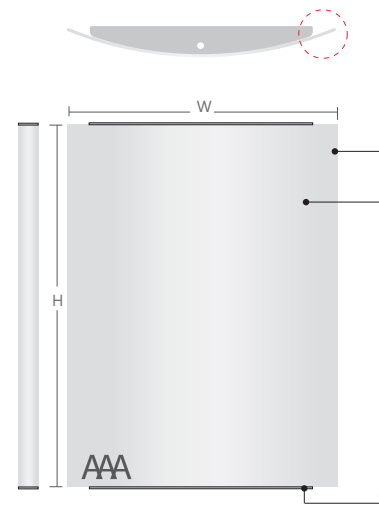
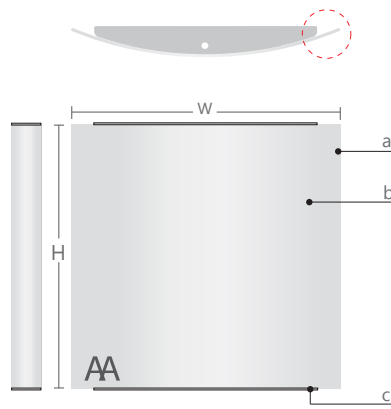
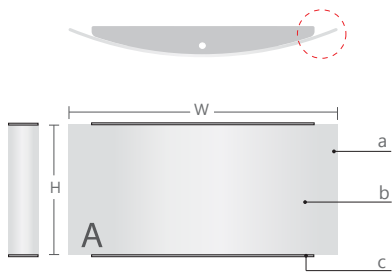
1. Graphic sign fronts:
engraved, laminated, silk screened,
Imprinted with braille or photo metal
finished
2. Applied vinyl on aluminum insert
3. 1. .040 aluminum backed
photopolymer w/ raised
symbols/copy and ADA compliant
braille. Tip symbols/copy to contrast
background. braille to remain
background color
4. Acrylic cover w/ paper insert
5. Digital printing onto anodized
aluminum by Primodize® or direct
on clear cover

d

ACCENT BAR (available page no.*)
finish/color options:

1. Standard Mirtec anodized colors
2. Can be painted or powder coated





Jupiter / Orion Sign Family Room ID Panel

Mirtec Navigator Application E
Name Plate, Door Sign, Cubical, Conference Room,
Miscellaneous ID, Suite ID, Policy Sign, In Use Slide,
ADA Room ID

NOTES:

a

EXTRUSION finish/color options:
are made from high quality aluminum
6063 with an anodized or oven cured
coating

1. Clear anodized aluminum

b

INSERT OPTIONS:

1. .040 aluminum backed photopolymer w/ raised symbols/copy and ADA compliant braille. Tip symbols/copy to contrast background. braille to remain background color
2. Digital printing onto anodized aluminum by Primodize®

c

END CAPS finish/color options:

1. Clear anodized aluminum
2. Can be painted or powder coated
3. Gray or black ABS plastic

d

ACCENT BAR (available page no.*)

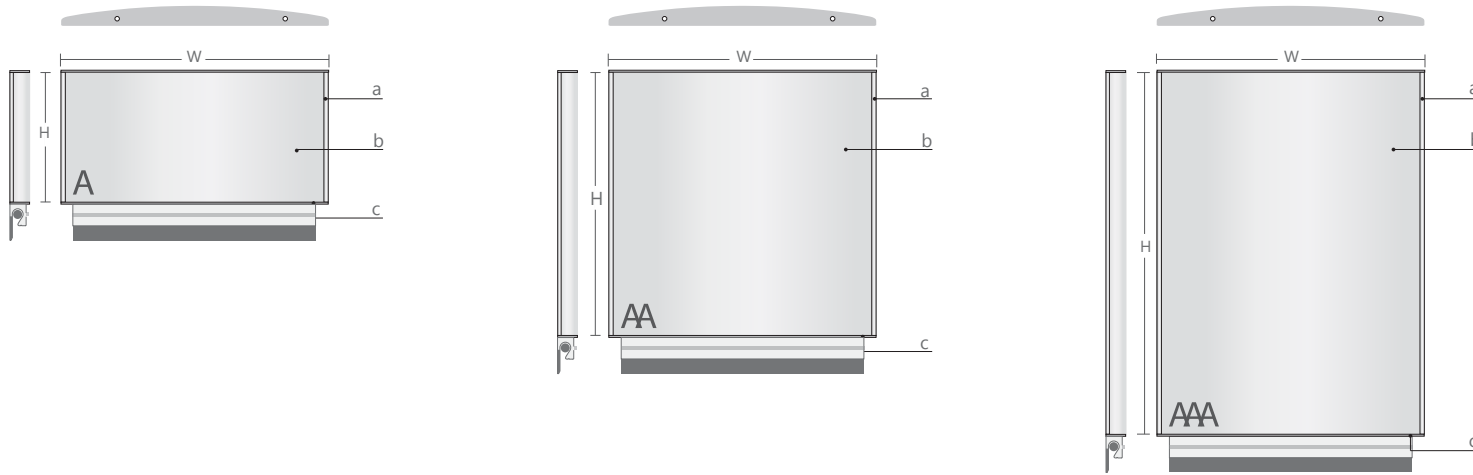
- finish/color options:
1. Standard Mirtec anodized colors
 2. Can be painted or powder coated



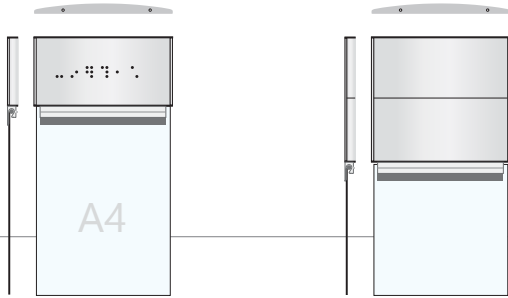
Standard sizes		A		AA		AAA	
No.	Part No.	H x W		H x W		H x W	
		mm	inch	mm	inch	mm	inch
1	Mir1096	76 x 116	3 x 4.56	116 x 116	4.56 x 4.56	152 x 116	6 x 4.56
2	Mir1097	102 x 146	4 x 5.74	146 x 146	5.74 x 5.74	205 x 146	8 x 5.74
3	Mir1098	152 x 220	6 x 8.66	220 x 220	8.66 x 8.66	305 x 220	12 x 8.66



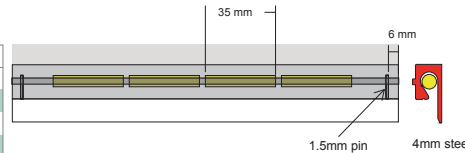
1.6



— STANDARD OPTIONS: —



Extrusion		Bar Width		4mmRoll
mm	inch	mm	inch	Quantity
150	5.90	136	5.35	4
200	7.87	186	7.32	6
221	5.90	207	8.14	6



Standard sizes		A		AA		AAA	
No.	Part No.	H x W		H x W		H x W	
		mm	inch	mm	inch	mm	inch
1	Mir0978	102 x 150	4 x 5.90	152 x 150	6 x 5.90	203 x 150	8 x 5.90
2	Mir0979	152 x 200	6 x 7.87	203 x 200	8 x 7.87	254 x 200	10 x 7.87
3	Mir1095	150 x 217	5.90 x 8.54	217 x 217	8.54 x 8.54	297 x 217	11.6 x 8.54
4	Mir0979A	152 x 221	6 x 8.70	221 x 221	8.70 x 8.70	280 x 221	11.0 x 8.70



1.7

Jupiter / Orion Sign Family Note Bar (Paper Holder)

Mirtec Navigator Application E
Name Plate, Door Sign, Cubical, Conference Room,
Miscellaneous ID, Suite ID, Policy Sign, In Use Slide,
ADA Room ID

NOTES:

a

EXTRUSION finish/color options:
are made from high quality aluminum
6063 with an anodized or oven cured
coating
1. Clear anodized aluminum

b

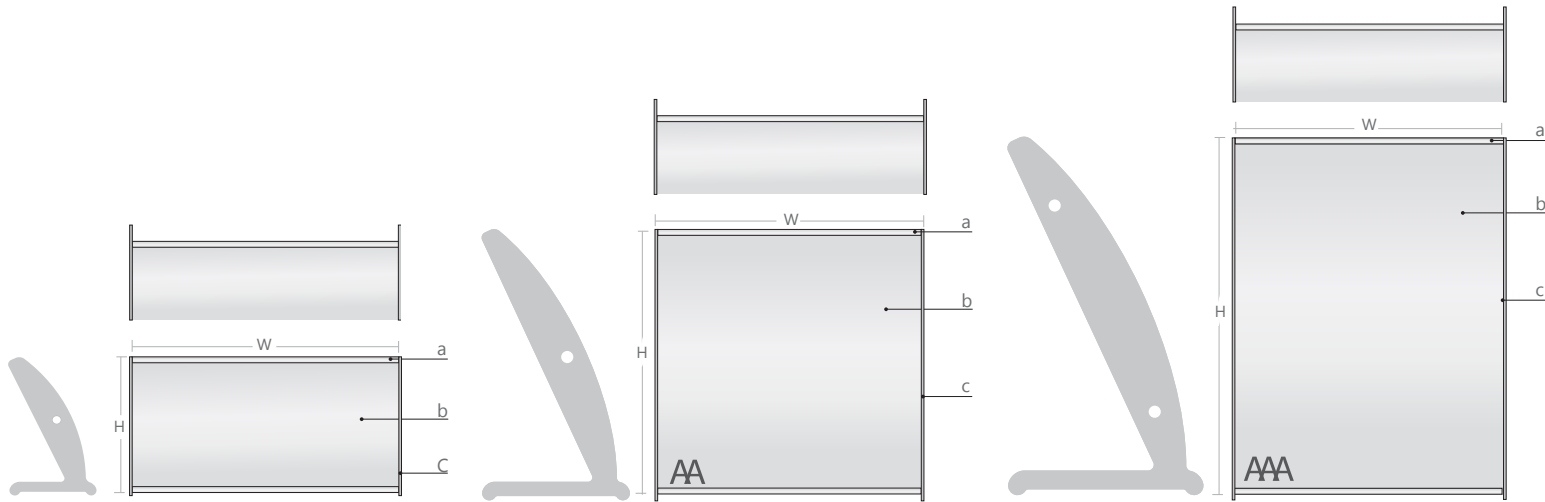
INSERT OPTIONS:
1. Graphic sign fronts:
engraved, laminated, silk screened,
Imprinted with braille or photo metal
finished
2. Applied vinyl on aluminum insert
3. 1. .040 aluminum backed
photopolymer w/ raised
symbols/copy and ADA compliant
braille. Tip symbols/copy to contrast
background. braille to remain
background color
4. Acrylic cover w/ paper insert
5. Digital printing onto anodized
aluminum by Primodize® or direct
on clear cover

c

END CAPS finish/color options:
1. Clear anodized aluminum
2. Can be painted or powder coated
3. Gray or black ABS plastic

d

ACCENT BAR (available page no.*)
finish/color options:
1. Standard Mirtec anodized colors
2. Can be painted or powder coated



STANDARD OPTIONS:

Standard sizes	No.	Part No.	A		AA		AAA	
			H x W	H x W	H x W	H x W		
			mm	inch	mm	inch	mm	inch
	1	Mir0267	40 x 102	1.57 x 4				
	2	Mir0268	60 x 152	2.36 x 6				
	3	Mir0269	80 x 152	3.14 x 6			80 x 51	3.14 x 2
	4	Mir0270	100 x 254	3.93 x 10	100 x 102	3.93 x 4	100 x 76	3.93 x 3
	5	Mir0270a	120 x 254	4.72 x 10	120 x 127	4.72 x 5	120 x 102	4.72 x 4
	6	Mir0650	150 x 254	5.90 x 10	150 x 152	5.90 x 6	150 x 102	5.90 x 4



2.0

Jupiter / Orion Sign Family
Desktop

Mirtec Navigator Application E
Table Stand, Brochure Holder.

NOTES:

a

EXTRUSION finish/color options:
are made from high quality aluminum 6063 with an anodized or oven cured coating

1. Clear anodized aluminum

b

INSERT OPTIONS:

1. Graphic sign fronts:
engraved, laminated, silk screened, Imprinted with braille or photo metal finished
2. Applied vinyl on aluminum insert
3. 1. .040 aluminum backed photopolymer w/ raised symbols/copy and ADA compliant braille. Tip symbols/copy to contrast background. braille to remain background color
4. Acrylic cover w/ paper insert
5. Digital printing onto anodized aluminum by Primodize® or direct on clear cover

c

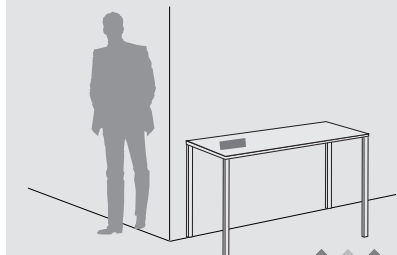
END CAPS finish/color options:

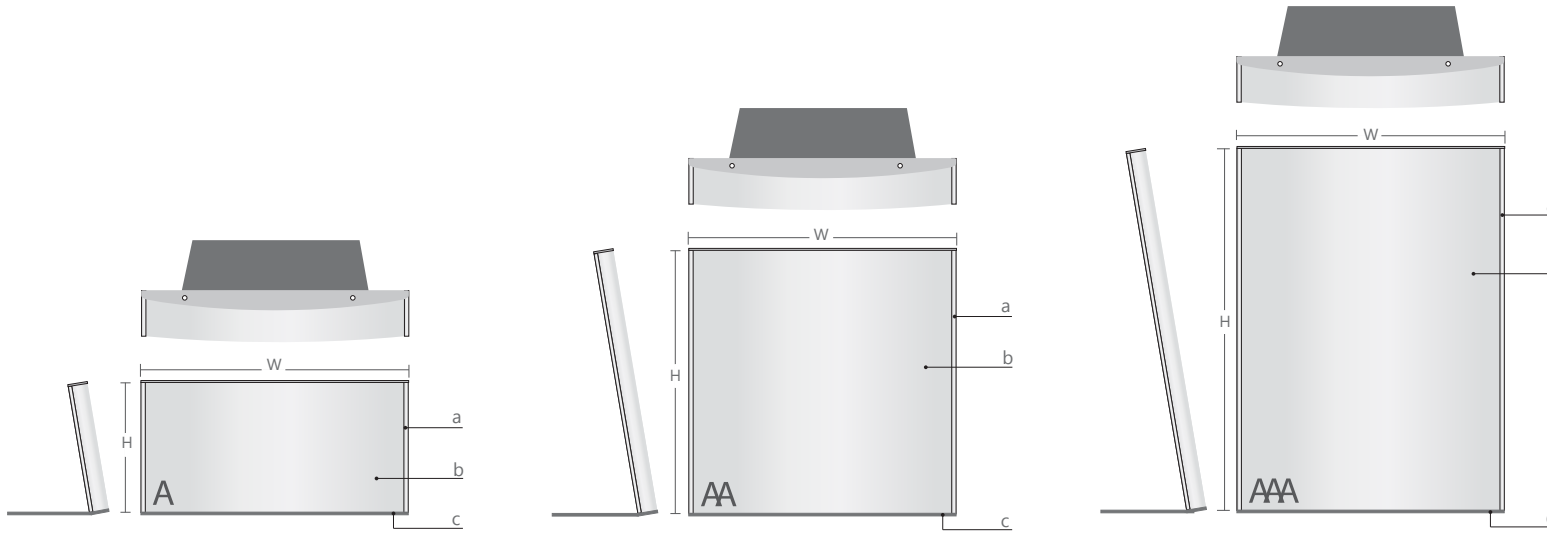
1. Clear anodized aluminum
2. Can be painted or powder coated
3. Gray or black ABS plastic

d

ACCENT BAR (available page no.*)
finish/color options:

1. Standard Mirtec anodized colors
2. Can be painted or powder coated





— STANDARD OPTIONS: —

Jupiter / Orion Sign Family Desktop

Mirtec Navigator Application E
Table Stand, Brochure Holder.

NOTES:

a

EXTRUSION finish/color options:
are made from high quality aluminum 6063 with an anodized or oven cured coating

1. Clear anodized aluminum

b

INSERT OPTIONS:

1. Graphic sign fronts:
engraved, laminated, silk screened,
Imprinted with braille or photo metal
finished
2. Applied vinyl on aluminum insert
3. 1. .040 aluminum backed
photopolymer w/ raised
symbols/copy and ADA compliant
braille. Tip symbols/copy to contrast
background. braille to remain
background color
4. Acrylic cover w/ paper insert
5. Digital printing onto anodized
aluminum by Primodize ® or direct
on clear cover

c

END CAPS finish/color options:

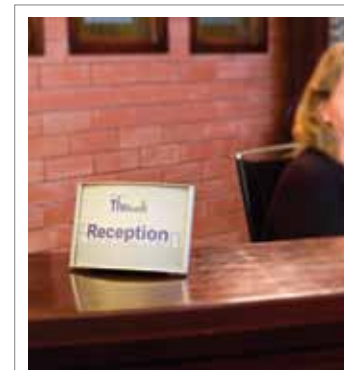
1. Clear anodized aluminum
2. Can be painted or powder coated
3. Gray or black ABS plastic

d

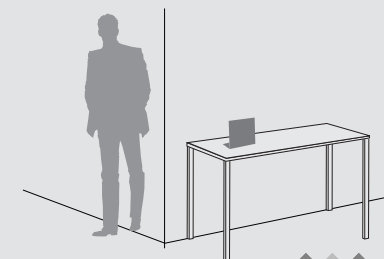
ACCENT BAR (available page no.*)
finish/color options:

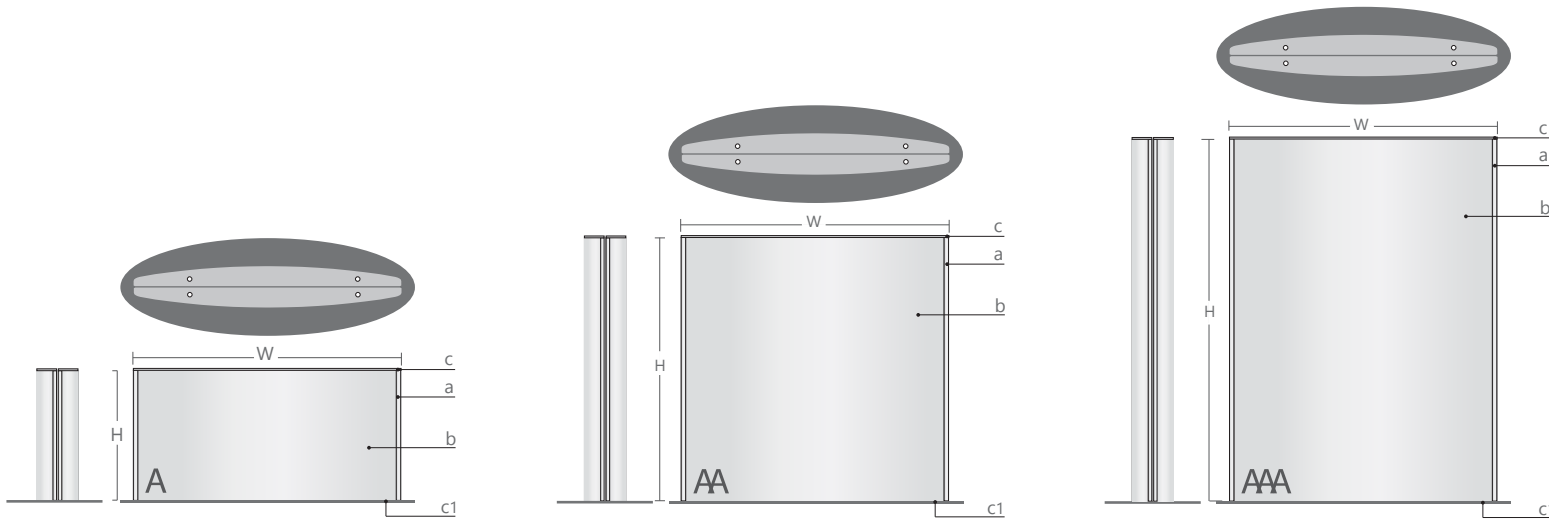
1. Standard Mirtec anodized colors
2. Can be painted or powder coated

Standard sizes		A		AA		AAA	
No.	Part No.	H x W		H x W		H x W	
		mm	inch	mm	inch	mm	inch
1	Mir0732	52 x 100	2 x 3.93	102 x 100	4 x 3.93	152 x 100	6 x 3.93
2	Mir0734	76 x 150	3 x 5.90	152 x 150	6 x 5.90	203 x 150	8 x 5.90
3	Mir0735	127 x 200	5 x 7.87	203 x 200	8 x 7.87	254 x 200	10 x 7.87
4	Mir0680	152 x 217	6 x 8.54	217 x 217	8.54 x 8.54	297 x 217	11.6 x 8.54
5	Mir0682	152 x 221	6 x 8.70	221 x 221	8.70 x 8.70	280 x 221	11 x 8.70

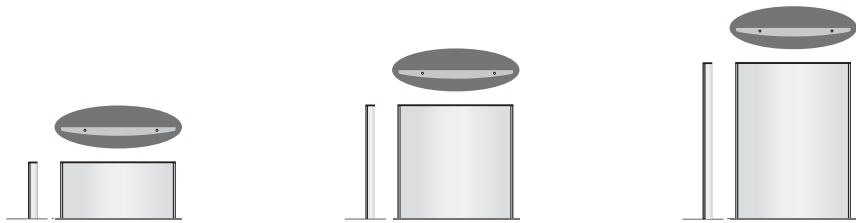


2.1





— STANDARD OPTIONS: —



Standard sizes		A		AA		AAA	
No.	Part No.	H x W		H x W		H x W	
		mm	inch	mm	inch	mm	inch
1	Mir0785	52 x 100	2 x 3.93	102 x 100	4 x 3.93	152 x 100	6 x 3.93
2	Mir0738	76 x 150	3 x 5.90	152 x 150	6 x 5.90	203 x 150	8 x 5.90
3	Mir0739	127 x 200	5 x 7.87	203 x 200	8 x 7.87	254 x 200	10 x 7.87
4	Mir0749	152 x 217	6 x 8.54	217 x 217	8.54 x 8.54	297 x 217	11.6 x 8.54
5	Mir0741	152 x 221	6 x 8.70	221 x 221	8.70 x 8.70	280 x 221	11 x 8.70

d
ACCENT BAR
 (available page no.*)
 finish/color options:
 1. Standard Mirtec anodized colors
 2. Can be painted or powder coated



2.2

Jupiter / Orion Sign Family
Desktop

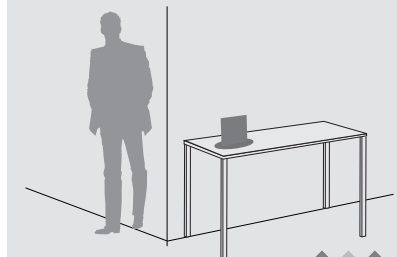
Mirtec Navigator Application E
 Table Stand, Brochure Holder.

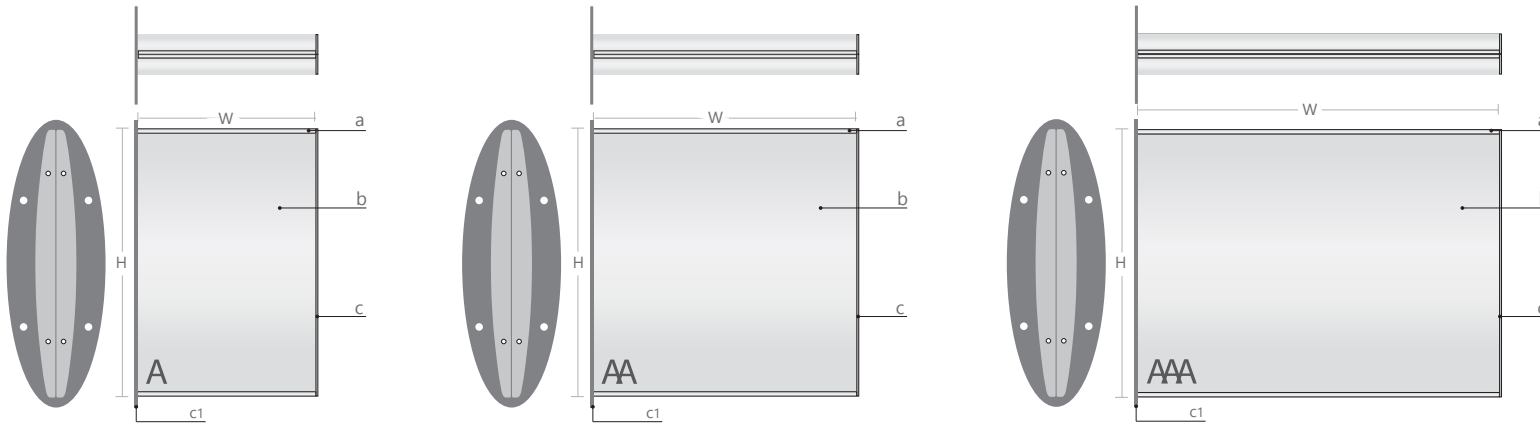
NOTES:

- a**
 EXTRUSION finish/color options:
 are made from high quality aluminum 6063 with an anodized or oven cured coating
 1. Clear anodized aluminum
- b**
 INSERT OPTIONS:
 1. Graphic sign fronts:
 engraved, laminated, silk screened, Imprinted with braille or photo metal finished
 2. Applied vinyl on aluminum insert
 3. 1. .040 aluminum backed photopolymer w/ raised symbols/copy and ADA compliant braille. Tip symbols/copy to contrast background. braille to remain background color
 4. Acrylic cover w/ paper insert
 5. Digital printing onto anodized aluminum by Primodize ® or direct on clear cover

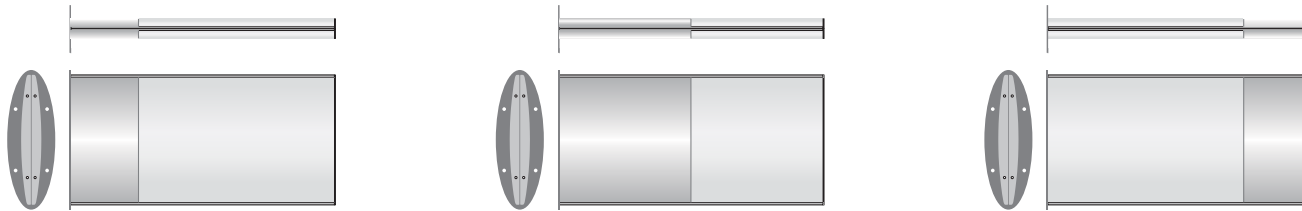
- c**
 END CAPS finish/color options:
 1. Clear anodized aluminum
 2. Can be painted or powder coated
 3. Gray or black ABS plastic

- c1**
 Base finish/color options:
 1. Mirtec clear anodized aluminum





STANDARD OPTIONS:



Standard sizes		A		AA		AAA	
No.	Part No.	H x W		H x W		H x W	
		mm	inch	mm	inch	mm	inch
1	Mir0996	100 x 76	3.93 x 3	100 x 102	3.93 x 4	100 x 152	3.93 x 6
2	Mir0997	120 x 102	4.72 x 4	120 x 127	4.72 x 5	120 x 203	4.72 x 48
3	Mir0998	150 x 127	5.90 x 5	150 x 152	5.90 x 6	150 x 254	5.90 x 10
4	Mir0999	200 x 152	7.87 x 6	200 x 203	7.87 x 8	200 x 305	7.87 x 12
5	Mir0625	217 x 152	8.54 x 6	217 x 217	8.54 x 8.54	217 x 297	8.54 x 11.6
6	Mir0626	221 x 152	8.70 x 6	221 x 221	8.70 x 8.70	221 x 280	8.70 x 11
7	Mir0653	300 x 203	11.8 x 8	300 x 305	11.8 x 12	300 x 432	11.8 x 17
8	Mir0654	400 x 254	15.7 x 10	400 x 406	15.7 x 16	400 x 508	15.7 x 20

d
ACCENT BAR
 (available page no. *)
 finish/color options:
 1. Standard Mirtec anodized colors
 2. Can be painted or powder coated



3.0

Jupiter / Orion Sign Family
 Projecting Sign Attached

Mirtec Navigator Application B,C
 Flag Mount Attached Flag mounted,
 Distance Flag mounted,

NOTES:

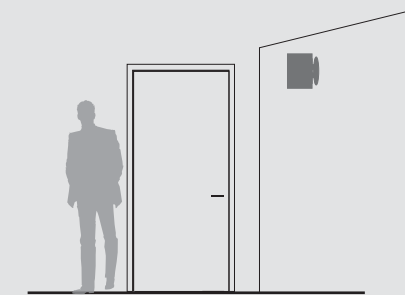
a
 EXTRUSION finish/color options:
 are made from high quality aluminum
 6063 with an anodized or oven cured
 coating.

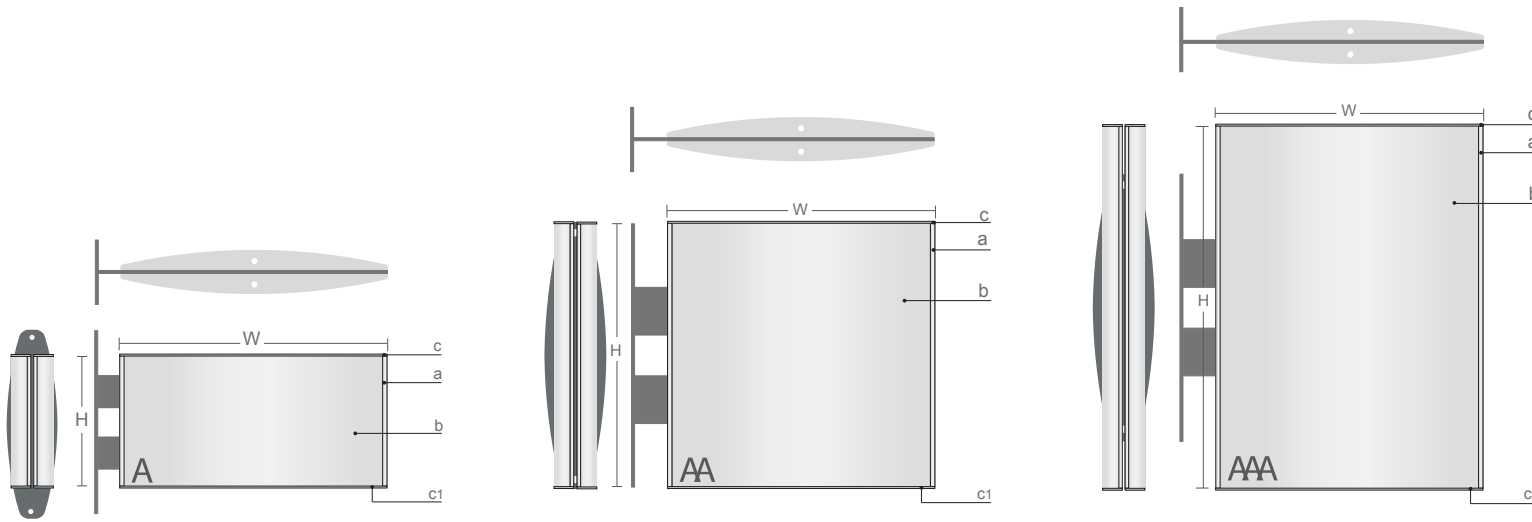
1. Clear anodized aluminum

b
 INSERT OPTIONS:
 1. Acrylic cover w/ subsurface
 silkscreen and backspray.
 2. Digital printing into anodized
 aluminum by Primodize ®
 3. Painted acrylic cover w/ vinyl
 graphics
 4. Acrylic cover w/digital print

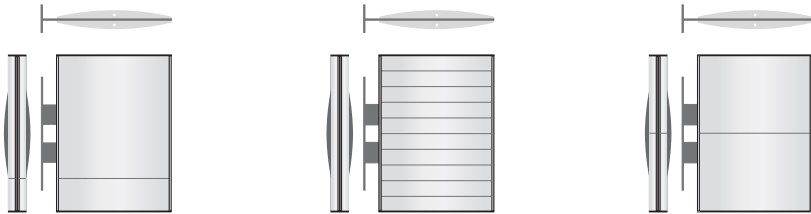
c
 END CAPS finish/color options:
 1. Clear anodized aluminum.
 2. Aluminum end cap painted
 standard or custom colors.
 3. Gray or black ABS plastic.

c1
 MOUNTING BRACKET
 finish/color options:
 1. Mirtec clear anodized aluminum
 2. Painted aluminum cap standard





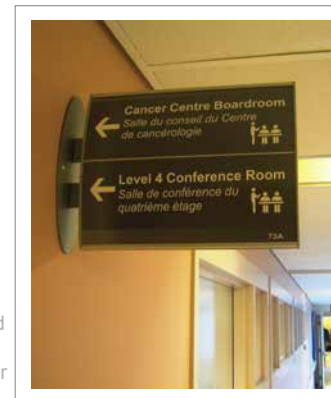
— STANDARD OPTIONS: —



Standard sizes		A		AA		AAA	
No.	Part No.	H x W		H x W		H x W	
		mm	inch	mm	inch	mm	inch
1	Mir1146			102 x 100	4 x 3.93	203 x 100	8 x 3.93
2	Mir1147			127 x 120	5 x 4.72	203 x 120	8 x 4.72
3	Mir1148	102 x 150	4 x 5.90	152 x 150	6 x 5.90	254 x 150	10 x 5.90
4	Mir1149	152 x 200	6 x 7.87	203 x 200	8 x 7.87	305 x 200	12 x 7.87
5	Mir1150	152 x 217	6 x 8.54	217 x 217	8.54 x 8.54	297 x 217	11.6 x 8.54
6	Mir1151	152 x 221	6 x 8.70	221 x 221	8.70 x 8.70	280 x 221	11 x 8.70
7	Mir1152	254 x 300	10 x 11.8	305 x 300	12 x 11.8	356 x 300	14 x 11.8
8	Mir1161	305 x 400	12 x 15.7	406 x 400	16 x 15.7		

d
ACCENT BAR
(available page no. *)
finish/color options:

1. Standard Mirtec anodized colors
2. Can be painted or powder coated



3.1

Jupiter / Orion Sign Family Projecting Sign Distanced

Mirtec Navigator Application B,C
Flag Mount Attached Flag mounted,
Distance Flag mounted,

NOTES:

a
EXTRUSION finish/color options:
are made from high quality aluminum
6063 with an anodized or oven cured
coating.

1. Clear anodized aluminum

b
INSERT OPTIONS:

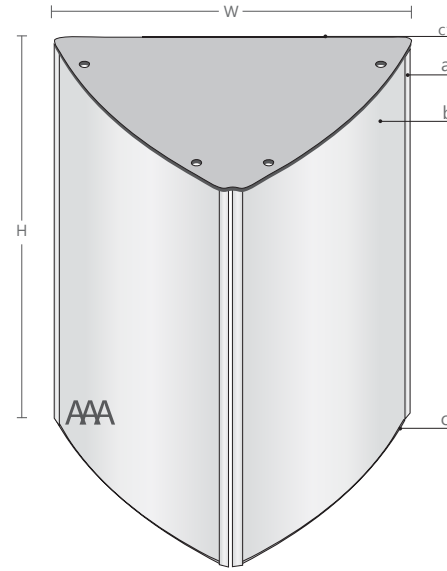
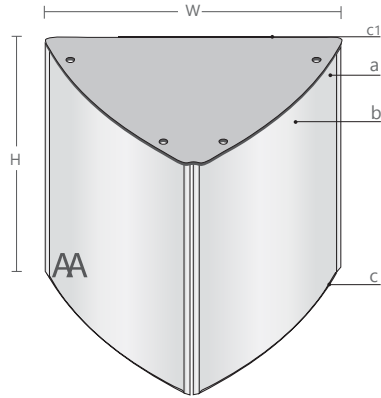
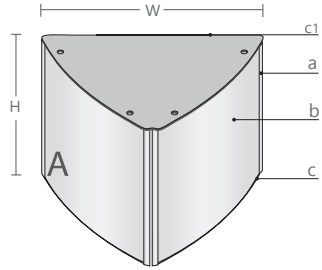
1. Acrylic cover w/ subsurface silkscreen and backspray.
2. Digital printing into anodized aluminum by Primodize ®
3. Painted acrylic cover w/ vinyl graphics
4. Acrylic cover w/digital print

c
END CAPS finish/color options:

1. Clear anodized aluminum.
2. Aluminum end cap painted standard or custom colors.
3. Gray or black ABS plastic.

c1
MOUNTING BRACKET
finish/color options:

1. Mirtec clear anodized aluminum
2. Painted aluminum cap standard



— STANDARD OPTIONS: —

Jupiter / Orion Sign Family Projecting Sign

Mirtec Navigator Application B,C
Flag Mount Attached Flag mounted,
Distance Flag mounted,

NOTES:

a
EXTRUSION finish/color options:
are made from high quality aluminum
6063 with an anodized or oven cured
coating.

1. Clear anodized aluminum

b
INSERT OPTIONS:
1. Acrylic cover w/ subsurface
silkscreen and backspray.
2. Digital printing into anodized
aluminum by Primodize ®
3. Painted acrylic cover w/ vinyl
graphics
4. Acrylic cover w/digital print

c
END CAPS finish/color options:
1. Clear anodized aluminum.
2. Aluminum end cap painted
standard or custom colors.
3. Gray or black ABS plastic.

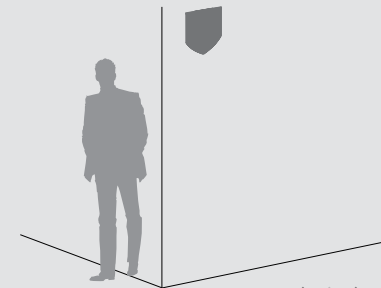
c1
MOUNTING BRACKET
finish/color options:
1. Mirtec clear anodized aluminum
2. Painted aluminum cap standard

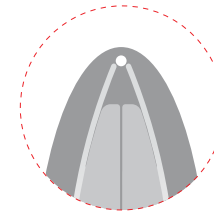
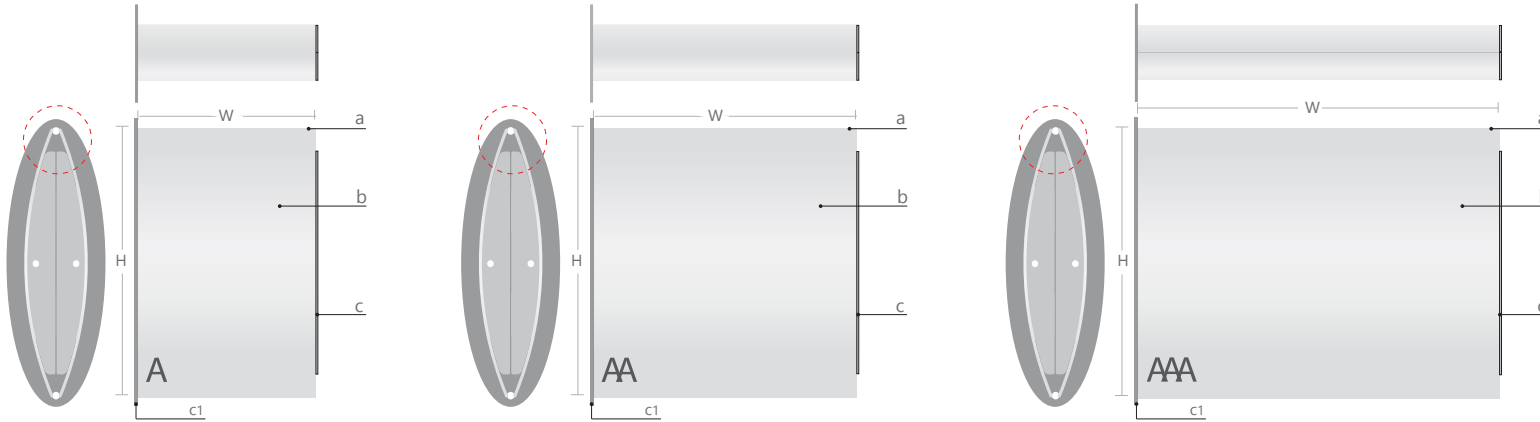
Standard sizes		A		AA		AAA	
No.	Part No.	H x W		H x W		H x W	
		mm	inch	mm	inch	mm	inch
1	Mir1194	102 x 150	4 x 5.90	152 x 150	6 x 5.90	203 x 150	8 x 5.90
2	Mir1195	152 x 200	16 x 7.87	203 x 200	8 x 7.87	297 x 200	11.6 x 7.87
3	Mir1196	152 x 221	6 x 8.70	221 x 221	8.70 x 8.70	280 x 221	11 x 8.70

d
ACCENT BAR
(available page no.*)
finish/color options:
1. Standard Mirtec anodized
colors
2. Can be painted or powder
coated



3.2





Standard sizes		A		AA		AAA	
No.	Part No.	H x W		H x W		H x W	
		mm	inch	mm	inch	mm	inch
1	Mir1096ap	116 x 76	4.56 x 3	116 x 116	4.56 x 4.56	116 x 254	4.56 x 10
2	Mir1097ap	146 x 102	5.74 x 4	146 x 146	5.74 x 5.74	146 x 305	4 x 12
3	Mir1098ap	220 x 152	8.66 x 6	220 x 220	8.66 x 8.66	220 x 355	8.66 x 14

d
ACCENT BAR
 (available page no.*)
 finish/color options:
 1. Standard Mirtec anodized colors
 2. Can be painted or powder coated



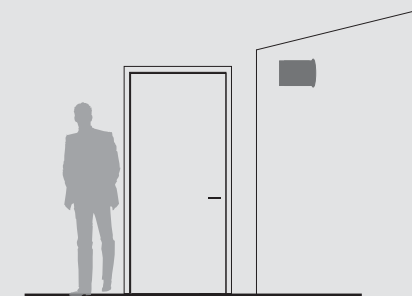
3.3

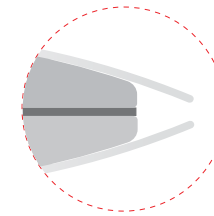
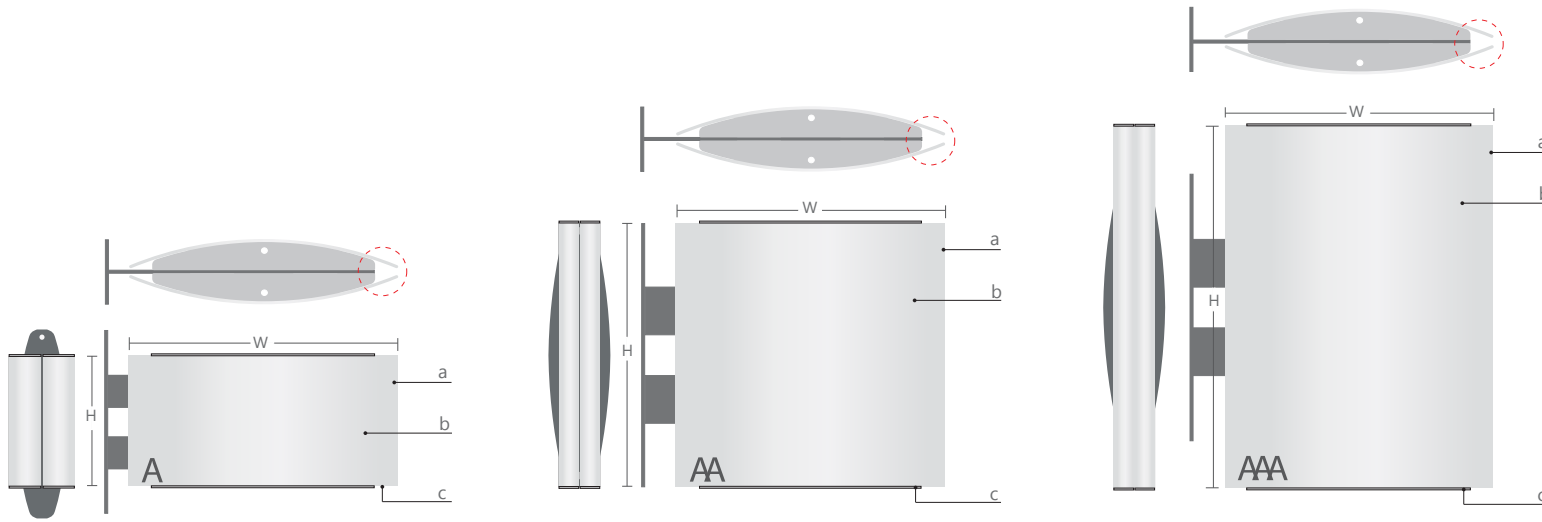
Jupiter / Orion Sign Family Projecting Panel Attached

Mirtec Navigator Application B,C
 Flag Mount Attached Flag mounted,
 Distance Flag mounted,

NOTES:

- a**
 EXTRUSION finish/color options:
 are made from high quality aluminum 6063 with an anodized or oven cured coating
 1. Clear anodized aluminum
- b**
 INSERT OPTIONS:
 1. 1. .040 aluminum backed photopolymer w/ raised symbols/copy and ADA compliant braille. Tip symbols/copy to contrast background. braille to remain background color
 2. Digital printing onto anodized aluminum by Primodize ®
- c**
 END CAPS finish/color options:
 1. Clear anodized aluminum
 2. Can be painted or powder coated
 3. Gray or black ABS plastic
- c1**
 MOUNTING BRACKET
 finish/color options:
 1. Mirtec clear anodized aluminum
 2. Painted aluminum cap standard





Standard sizes

No.	Part No.	A		AA		AAA	
		H x W	H x W	H x W	H x W	H x W	H x W
		mm	inch	mm	inch	mm	inch
1	Mir1096p	76 x 116	3 x 4.56	116 x 116	4.56 x 4.56	152 x 116	6 x 4.56
2	Mir1097p	102 x 146	4 x 5.74	146 x 146	5.74 x 5.74	205 x 146	8 x 5.74
3	Mir1098p	152 x 220	6 x 8.66	220 x 220	8.66 x 8.66	305 x 220	12 x 8.66

d
 ACCENT BAR
 (available page no.*)
 finish/color options:
 1. Standard Mirtec anodized colors
 2. Can be painted or powder coated



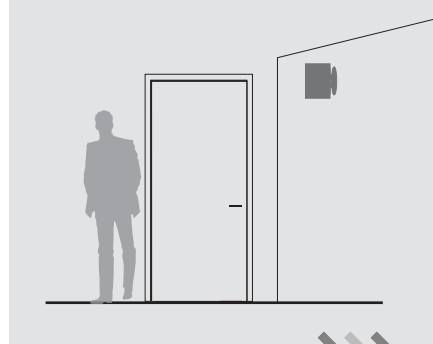
3.4

Jupiter / Orion Sign Family Projecting Panel Distanced

Mirtec Navigator Application B,C
 Flag Mount Attached Flag mounted,
 Distance Flag mounted,

NOTES:

- a**
 EXTRUSION finish/color options:
 are made from high quality aluminum 6063 with an anodized or oven cured coating
 1. Clear anodized aluminum
- b**
 INSERT OPTIONS:
 1. 1. .040 aluminum backed photopolymer w/ raised symbols/copy and ADA compliant braille. Tip symbols/copy to contrast background. braille to remain background color
 2. Digital printing onto anodized aluminum by Primodize®
- c**
 END CAPS finish/color options:
 1. Clear anodized aluminum
 2. Can be painted or powder coated
 3. Gray or black ABS plastic
- C1**
 MOUNTING BRACKET
 finish/color options:
 1. Mirtec clear anodized aluminum
 2. Painted aluminum cap standard



Jupiter / Orion Sign Family

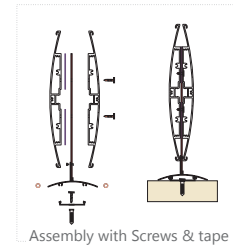
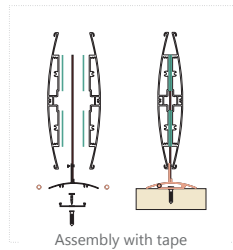
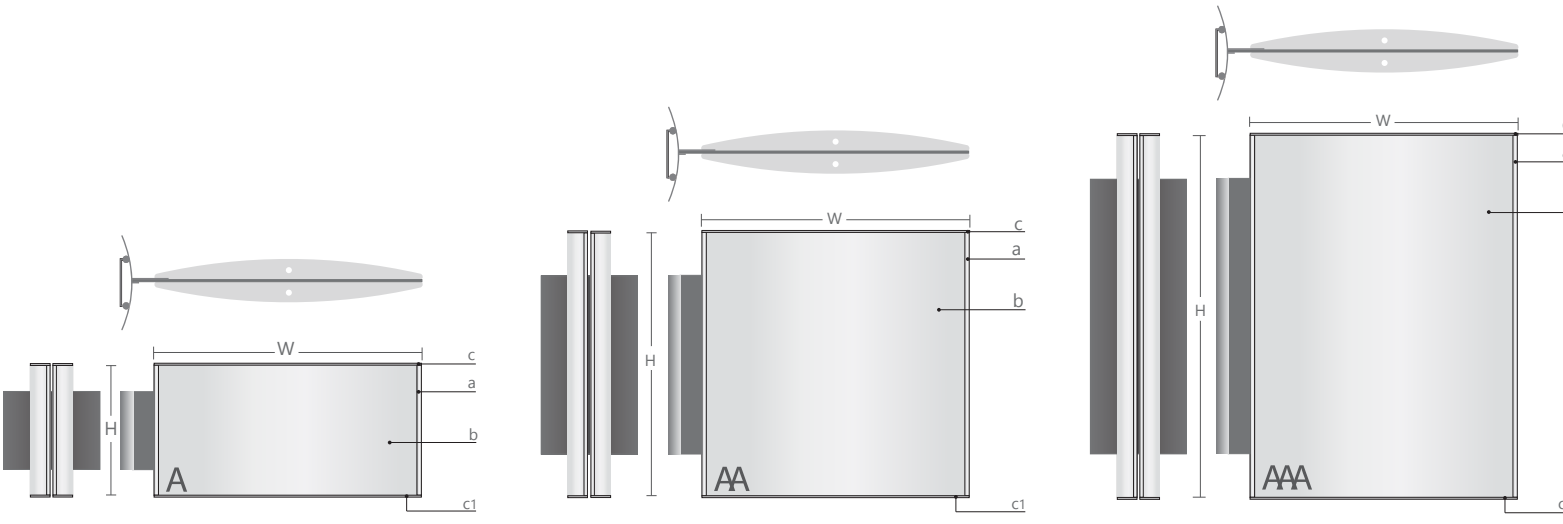
Projecting Sign Distanced

Mirtec Navigator Application B,C
 Flag Mount Attached Flag mounted,
 Distance Flag mounted,

NOTES:

- a**
 EXTRUSION finish/color options:
 are made from high quality aluminum 6063 with an anodized or oven cured coating
 1. Clear anodized aluminum
- b**
 INSERT OPTIONS:
 1. 1. .040 aluminum backed photopolymer w/ raised symbols/copy and ADA compliant braille. Tip symbols/copy to contrast background. braille to remain background color
 2. Digital printing onto anodized aluminum by Primodize ®
- c**
 END CAPS finish/color options:
 1. Clear anodized aluminum
 2. Can be painted or powder coated
 3. Gray or black ABS plastic
- C1**
 MOUNTING BRACKET finish/color options:
 1. Mirtec clear anodized aluminum
 2. Painted aluminum cap standard

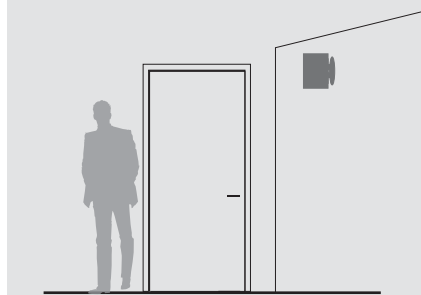
- d**
 ACCENT BAR (available page no.*)
 finish/color options:
 1. Standard Mirtec anodized colors
 2. Can be painted or powder coated

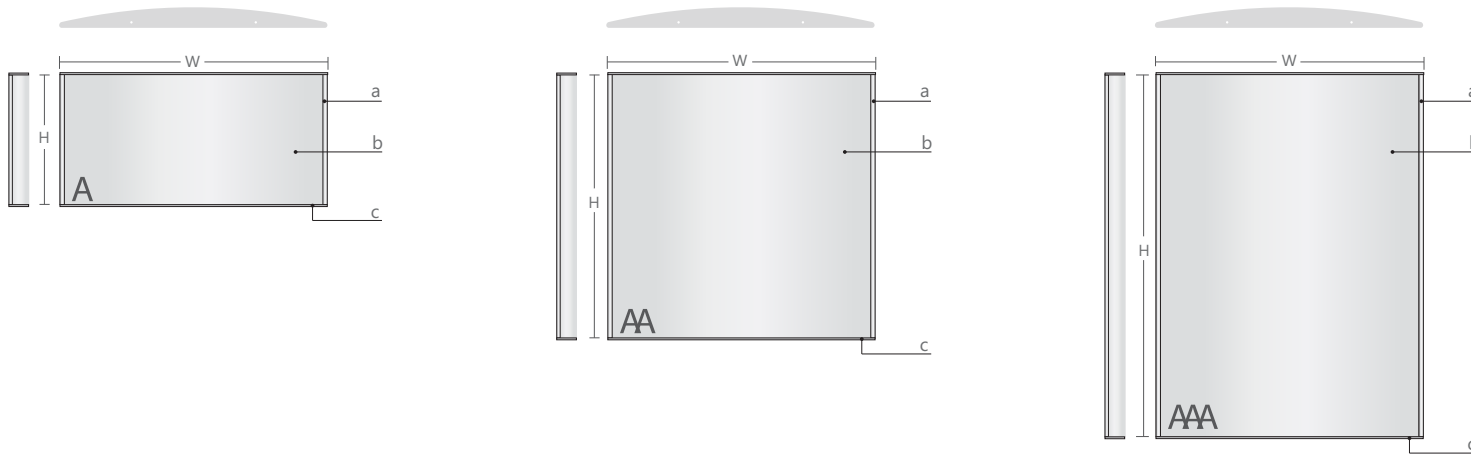


Standard sizes		A		AA		AAA	
No.	Part No.	H x W		H x W		H x W	
		mm	inch	mm	inch	mm	inch
1	Mir1146New			102 x 100	4 x 3.93	203 x 100	8 x 3.93
2	Mir1147New			127 x 120	5 x 4.72	203 x 120	8 x 4.72
3	Mir1148New	102 x 150	4 x 5.90	152 x 150	6 x 5.90	254 x 150	10 x 5.90
4	Mir1149New	152 x 200	6 x 7.87	203 x 200	8 x 7.87	305 x 200	12 x 7.87
5	Mir1150New	152 x 217	6 x 8.54	217 x 217	8.54 x 8.54	297 x 217	11.6 x 8.54
6	Mir1151New	152 x 221	6 x 8.70	221 x 221	8.70 x 8.70	280 x 221	11 x 8.70

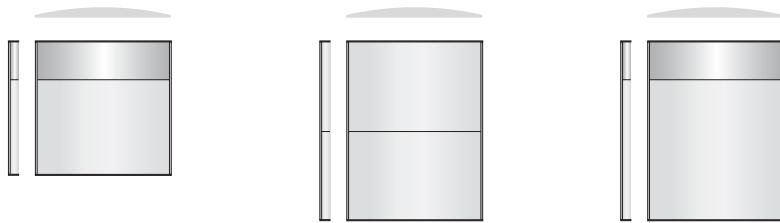


3.5





— STANDARD OPTIONS: —



Standard sizes		A		AA		AAA	
No.	Part No.	H x W		H x W		H x W	
		mm	inch	mm	inch	mm	inch
1	Mir1106	203 x 300	8 x 11.8	305 x 300	12 x 11.8	406 x 300	16 x 11.8
2	Mir1064	305 x 400	12 x 15.7	406 x 400	14 x 15.7	610 x 400	24 x 15.7
3	Mir1105	305 x 436	12 x 17.16	432 x 436	17 x 17.16	610 x 436	24 x 17.16
4	Mir1065	355 x 500	14 x 19.6	508 x 500	20 x 19.6	762 x 500	30 x 19.6
5	Mir1066	406 x 600	16 x 23.6	610 x 600	24 x 23.6	838 x 600	33 x 23.6

d
ACCENT BAR
 (available page no.*)
 Finish/color Options:
 1. Standard Mirtec anodized Colors
 2. can be painted or powder coated



4.0

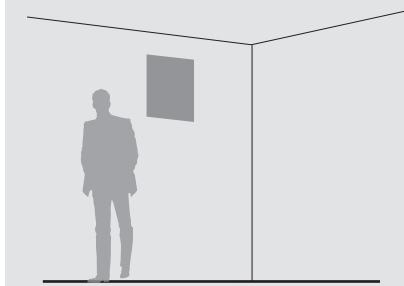
Jupiter / Orion Sign Family

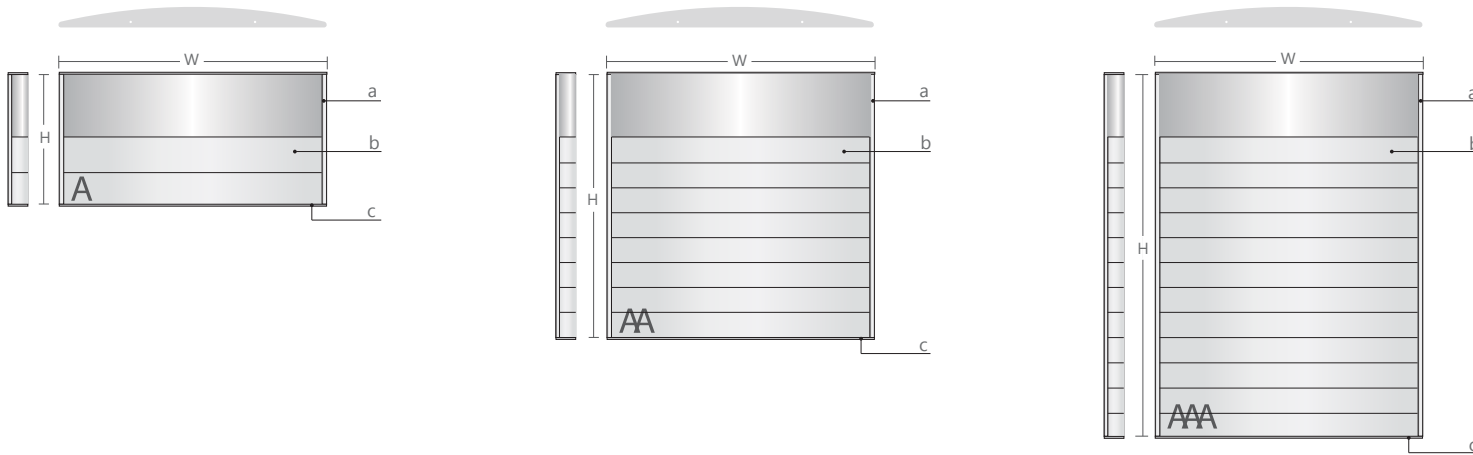
Wall Mounted Directional

Mirtec Navigator Application B
 Emergency Evacuation, Map, Department ID,
 Regulatory Information

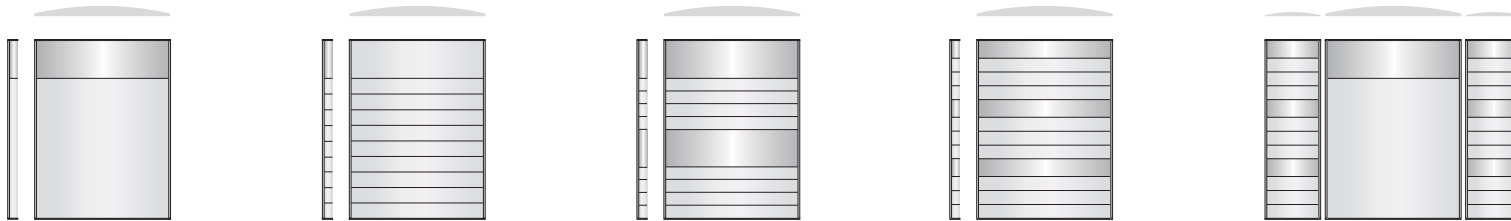
NOTES:

- a**
 EXTRUSION finish/color options:
 are made from high quality aluminum 6063 with an anodized or oven cured coating
 1. Clear anodized aluminum
- b**
 INSERT OPTIONS:
 1. Graphic sign fronts:
 engraved, laminated, silk screened, Imprinted with braille or photo metal finished
 2. Applied vinyl on aluminum insert
 3. 1. .040 aluminum backed photopolymer w/ raised symbols/copy and ADA compliant braille. Tip symbols/copy to contrast background Braille to remain background color
 4. Acrylic cover w/ paper insert
 5. Digital printing onto anodized aluminum by Primodize® or direct on clear cover
- PANELS**
 1. Plastic divider black or silver with strips of clear cover
 2. Natural or anodized alum strips
- c**
 END CAPS finish/color options:
 1. Clear anodized aluminum
 2. Can be painted or powder coated
 3. Gray or black ABS plastic
 4. Clear anodized aluminum base





— STANDARD OPTIONS: —



b	Aluminum Panel Anodized / Natural						
mm	20	25	30	40	50	60	100
inch	0.79	1	1.18	1.57	1.97	2.36	3.94

b=Individual panel height. Thickness 2 mm/0.079inch

Standard sizes	No.	Part No.	A		AA		AAA	
			H x W		H x W		H x W	
			mm	inch	mm	inch	mm	inch
	1	Mir1106	203 x 300	8 x 11.8	305 x 300	12 x 11.8	406 x 300	16 x 11.8
	2	Mir1064	305 x 400	12 x 15.7	406 x 400	14 x 15.7	610 x 400	24 x 15.7
	3	Mir1105	305 x 427	12 x 16.8	432 x 427	17 x 16.8	610 x 427	24 x 16.8
	4	Mir1065	355 x 500	14 x 19.6	508 x 500	20 x 19.6	762 x 500	30 x 19.6
	5	Mir1066	406 x 600	16 x 23.6	610 x 600	24 x 23.6	838 x 600	33 x 23.6



d
ACCENT BAR
(available page no.)*
finish/color options:
1. Standard Mirtec anodized colors
2. Can be painted or powder coated

4.1

Jupiter / Orion Sign Family

Directory with Aluminum Panels

Mirtec Navigator Application B,C,D
Multiple Panels

NOTES:

a

EXTRUSION finish/color options:
are made from high quality aluminum 6063 with an anodized or oven cured coating
1. Clear anodized aluminum

b

INSERT OPTIONS:

- Graphic sign fronts:
engraved, laminated, silk screened, Imprinted with braille or photo metal finished
- Applied vinyl on aluminum insert
1. .040 aluminum backed photopolymer w/ raised symbols/copy and ADA compliant braille. Tip symbols/copy to contrast background braille to remain background color
- Acrylic cover w/ paper insert
- Digital printing onto anodized aluminum by Primodize® or direct on clear cover

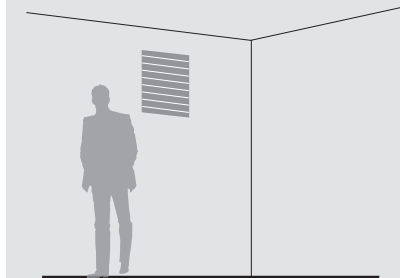
PANELS

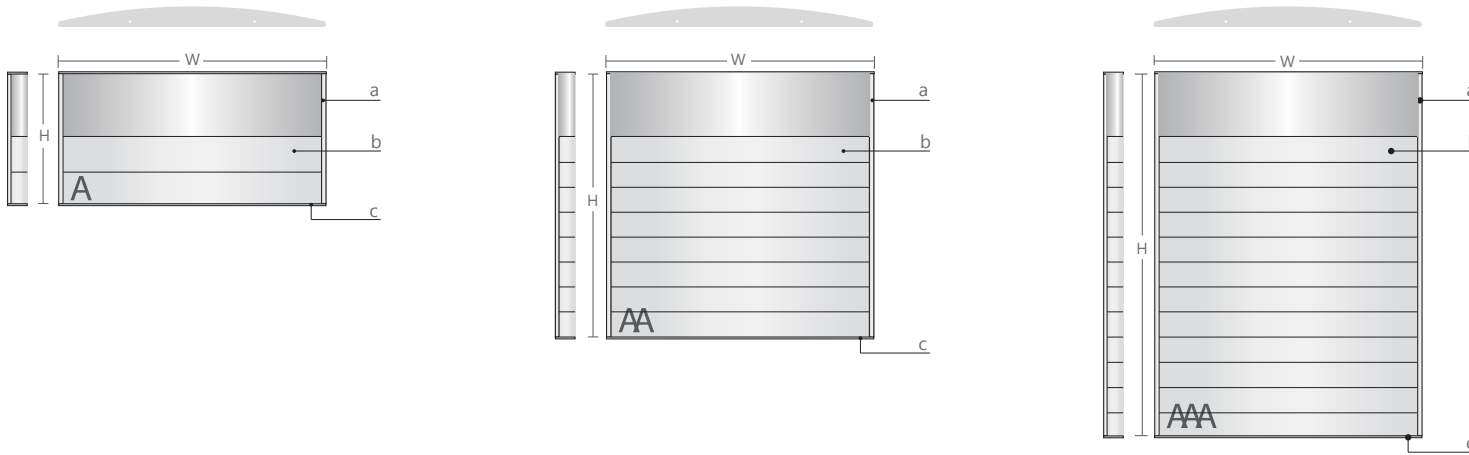
- Natural or anodized alum strips

c

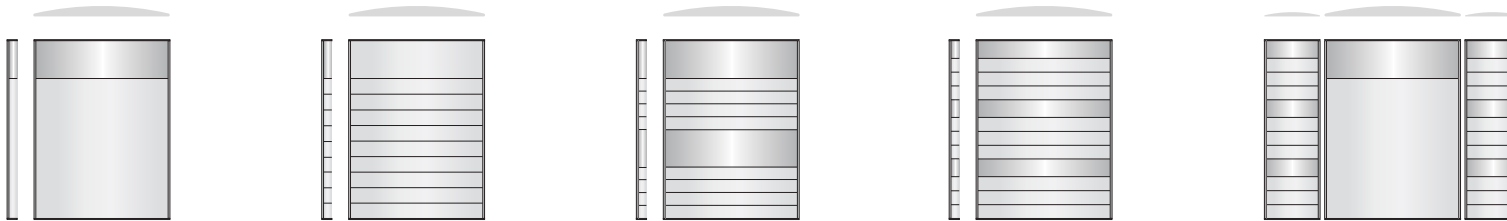
END CAPS finish/color options:

- Clear anodized aluminum
- Can be painted or powder coated
- Gray or black ABS plastic
- Clear anodized aluminum base





— STANDARD OPTIONS: —



b	Plastic Panel Clear Lens					Plastic Dividers Hight Black / Silver	
	30	40	50	60	100	3	6
mm	30	40	50	60	100	3	6
inch	1.18	1.57	1.96	2.36	3.93	0.118	0.236

b=Individual panel height. Thickness 2mm / 0.079inch
Thickness 1mm / 0.039inch, 1.5mm / 0.059, 2mm / 0.079inch

Standard sizes	No.	Part No.	A		AA		AAA	
			H x W		H x W		H x W	
			mm	inch	mm	inch	mm	inch
1	Mir1106	203 x 300	8 x 11.8	305 x 300	12 x 11.8	406 x 300	16 x 11.8	
2	Mir1064	305 x 400	12 x 15.7	406 x 400	14 x 15.7	610 x 400	24 x 15.7	
3	Mir1105	305 x 427	12 x 16.8	432 x 427	17 x 16.8	610 x 427	24 x 16.8	
4	Mir1065	355 x 500	14 x 19.6	508 x 500	20 x 19.6	762 x 500	30 x 19.6	
5	Mir1066	406 x 600	16 x 23.6	610 x 600	24 x 23.6	838 x 600	33 x 23.6	



d

ACCENT BAR
(available page no.*)

- finish/color options:
1. Standard Mirtec anodized colors
 2. Can be painted or powder coated

4.2

Jupiter / Orion Sign Family

Directory with Plastic Panels

Mirtec Navigator Application B,C,D
Multiple Panels

NOTES:

a

EXTRUSION finish/color options:
are made from high quality aluminum 6063 with an anodized or oven cured coating

1. Clear anodized aluminum

b

INSERT OPTIONS:

1. Graphic sign fronts:
engraved, laminated, silk screened, Imprinted with braille or photo metal finished
2. Applied vinyl on aluminum insert
3. 1. .040 aluminum backed photopolymer w/ raised symbols/copy and ADA compliant braille. Tip symbols/copy to contrast background braille to remain background color
4. Acrylic cover w/ paper insert
5. Digital printing onto anodized aluminum by Primodize® or direct on clear cover

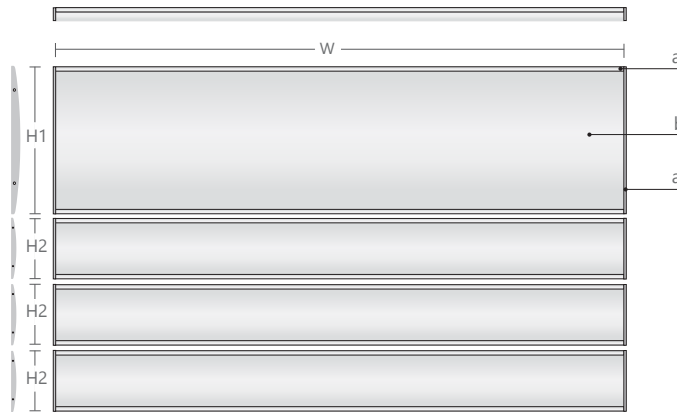
PANELS

1. Plastic divider 3/6 mm black or silver with strips of clear cover

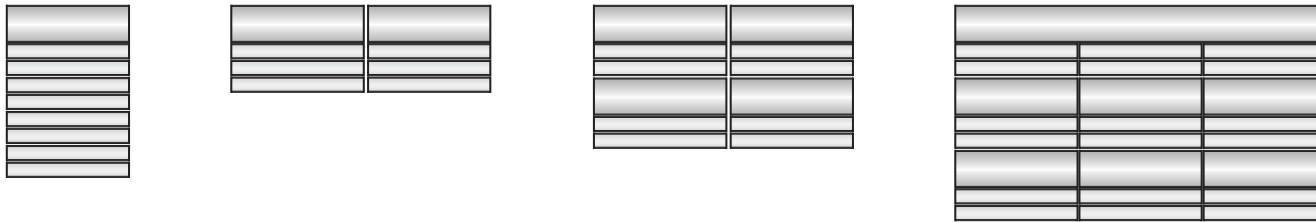
c

END CAPS finish/color options:

1. Clear anodized aluminum
2. Can be painted or powder coated
3. Gray or black ABS plastic
4. Clear anodized aluminum base



STANDARD OPTIONS:



Standart sizes

No.	Part No.	H1-Header Extrusion			H2-Extrusion			W	
		mm	inch	Quantity	mm	inch	Quantity	mm	inch
1	Mir0973				40	1.57			
2	Mir0974				60	2.36			
3	Mir0975	80	3.14		80	3.14			
4	Mir0976	100	3.93		100	3.93			
5	Mir0977	120	4.72		120	4.72			
6	Mir0978	150	5.90		150	5.90			
7	Mir0979	200	7.87						
8	Mir1095	217	8.54						
9	Mir0979A	221	8.70						



4.3

Jupiter / Orion Sign Family
Directory Multi Extrusions

Mirtec Navigator Application B
Emergency Evacuation, Map, Department ID,
Regulatory Information

NOTES:

a

EXTRUSION finish/color options:
are made from high quality aluminum
6063 with an anodized or oven cured
coating

1. Clear anodized aluminum

b

INSERT OPTIONS:

1. Graphic sign fronts:
engraved, laminated, silk screened,
Imprinted with braille or photo metal
finished
2. Applied vinyl on aluminum insert
3. 1. .040 aluminum backed
photopolymer w/ raised
symbols/copy and ADA compliant
braille. Tip symbols/copy to contrast
background Braille to remain
background color
4. Acrylic cover w/ paper insert
5. Digital printing onto anodized
aluminum by Primodize® or direct
on clear cover

c

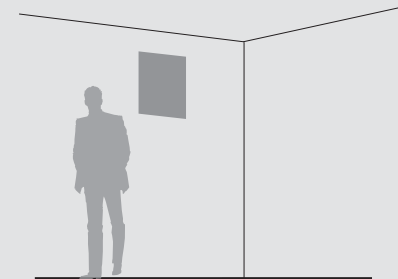
END CAPS finish/color options:

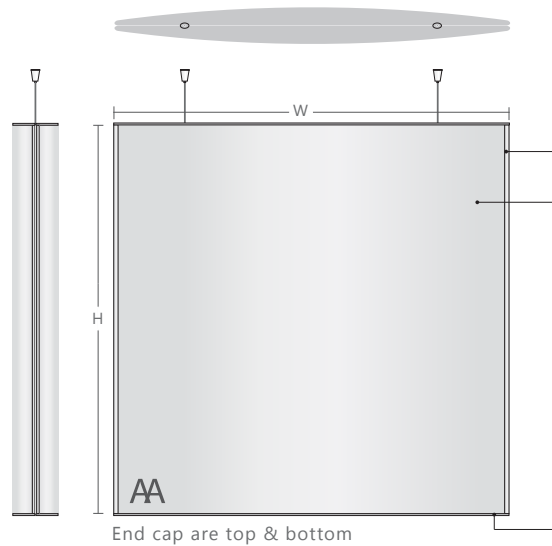
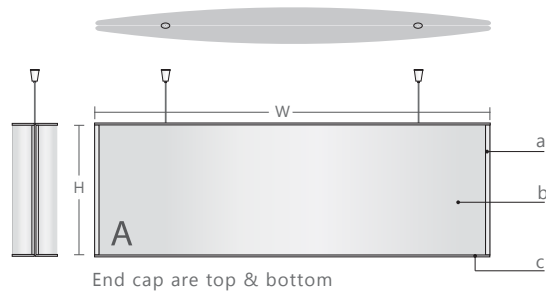
1. Clear anodized aluminum
2. Can be painted or powder coated
3. Gray or black ABS plastic

d

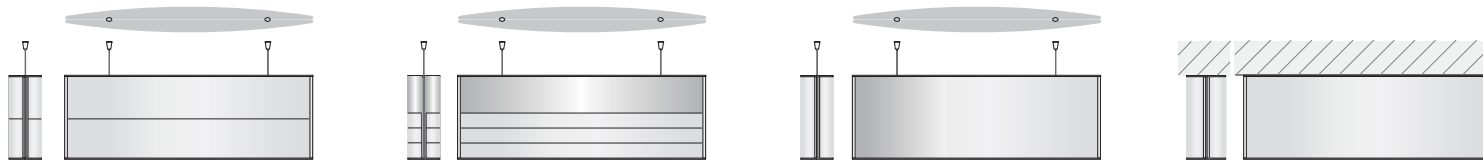
ACCENT BAR (available page no.*)
finish/color options:

1. Standard Mirtec anodized colors
2. Can be painted or powder coated





— STANDARD OPTIONS: —



Standard sizes		A		AA	
No.	Part No.	H x W		H x W	
		mm	inch	mm	inch
1	Mir1068	203 x 600	8 x 23.6	600 x 600	23.6 x 23.6
2	Mir0194S	254 x 700	10 x 27.5	700 x 700	27.5 x 27.5
3	Mir0195S	305 x 800	12 x 31.4	800 x 800	31.4 x 31.4
4	Mir1069	305 x 900	12 x 35.4		
5	Mir1070	305 x 1000	12 x 39.3		
6	Mir1071	305 x 1200	12 x 47.2		



5.0

Jupiter / Orion Sign Family

Suspended Directional

Mirtec Navigator Application B
Suspended, Overhead

NOTES:

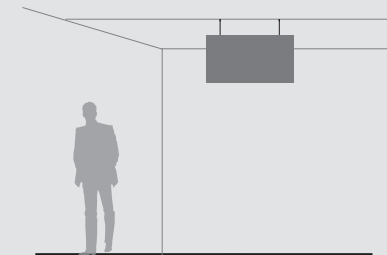
- a**
- EXTRUSION finish/color options:
are made from high quality aluminum 6063 with an anodized or oven cured coating
1. clear anodized aluminum
- b**
- INSERT OPTIONS:
1. Graphic sign fronts:
engraved, laminated, silk screened, Imprinted with braille or photo metal finished
 2. Applied vinyl on aluminum insert
 3. 1. .040 aluminum backed photopolymer w/ raised symbols/copy and ADA compliant braille. Tip symbols/copy to contrast background Braille to remain background color
 4. Acrylic cover w/ paper insert
 5. Digital printing onto anodized aluminum by Primodize® or direct on clear cover

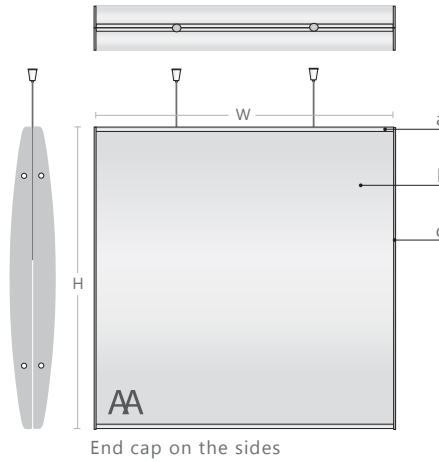
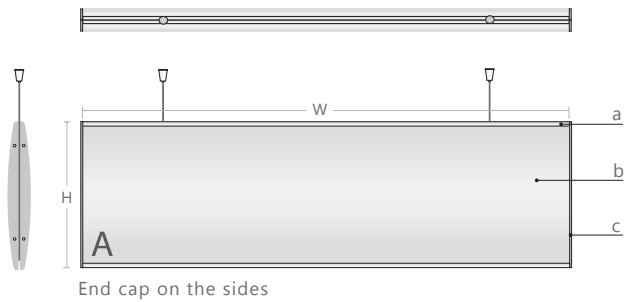
PANELS

1. Plastic divider black or silver with strips of clear cover
2. Natural or anodized alum strips

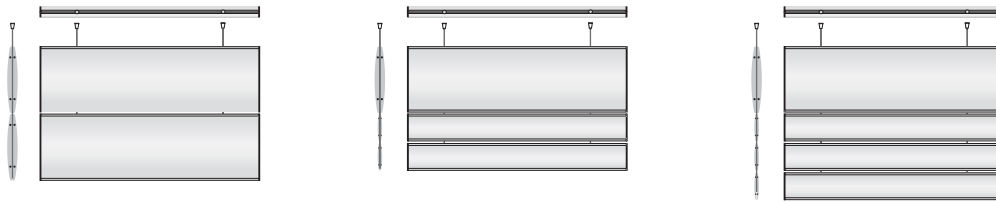
- c**
- END CAPS finish/color options:
1. Clear anodized aluminum
 2. Can be painted or powder coated
 3. Gray or black ABS plastic

- d**
- ACCENT BAR (available page no.*) finish/color options:
1. Standard Mirtec anodized colors
 2. Can be painted or powder coated





STANDARD OPTIONS:



Standart sizes	No.	Part No.	A		AA	
			H x W	H x W	H x W	H x W
			mm	inch	mm	inch
	1	Mir0152S	60 x 400	2.36 x 15.7		
	2	Mir0153S	80 x 400	3.14 x 15.7		
	3	Mir0154S	100 x 500	3.93 x 19.6		
	4	Mir0155S	120 x 500	4.72 x 19.6		
	5	Mir0156S	150 x 600	5.90 x 23.6		
	6	Mir1099	200 x 610	7.87 x 24	200 x 200	7.87 x 7.87
	7	Mir0529S	217 x 610	8.54 x 24	217 x 217	8.54 x 8.54
	8	Mir0529SS	221 x 610	8.70 x 24	221 x 221	8.54 x 8.54
	9	Mir0529ES	300 x 910	11.8 x 35.8	300 x 300	8.70 x 8.70



Jupiter / Orion Sign Family

Suspended Directional

Mirtec Navigator Application B
Suspended, Overhead

NOTES:

- a**
- EXTRUSION finish/color options:
are made from high quality aluminum 6063 with an anodized or oven cured coating
1. clear anodized aluminum
- b**
- INSERT OPTIONS:
1. Graphic sign fronts:
engraved, laminated, silk screened, Imprinted with braille or photo metal finished
 2. Applied vinyl on aluminum insert
 3. 1. .040 aluminum backed photopolymer w/ raised symbols/copy and ADA compliant braille. Tip symbols/copy to contrast background Braille to remain background color
 4. Acrylic cover w/ paper insert
 5. Digital printing onto anodized aluminum by Primodize® or direct on clear cover

PANELS

1. Plastic divider black or silver with strips of clear cover
2. Natural or anodized alum strips

c

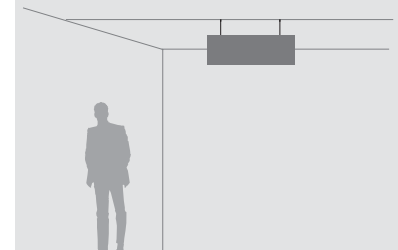
END CAPS finish/color options:

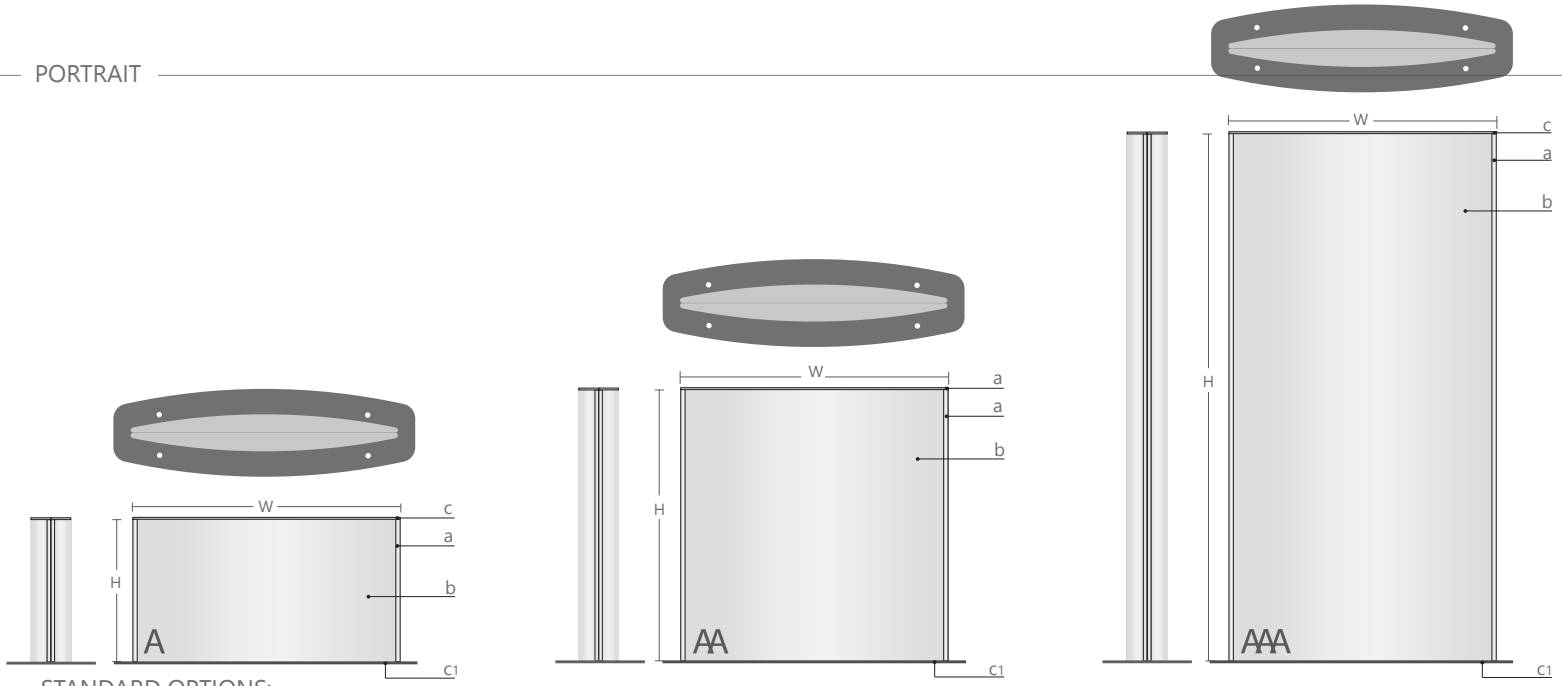
1. Clear anodized aluminum
2. Can be painted or powder coated
3. Gray or black ABS plastic

d

ACCENT BAR (available page no.*) finish/color options:

1. Standard Mirtec anodized colors
2. Can be painted or powder coated





STANDARD OPTIONS:



Standard sizes		A		AA		AAA	
No.	Part No.	H x W		H x W		H x W	
		mm	inch	mm	inch	mm	inch
1	Mir1119	254 x 400	10 x 15.7	406 x 400	16 x 15.7	1981 x 400	78 x 15.7
2	Mir1220	305 x 500	12 x 19.6	508 x 500	20 x 19.6	1981 x 500	78 x 19.6
3	Mir1221	406 x 600	16 x 23.6	610 x 600	24 x 23.6	1981 x 600	78 x 23.6
4	Mir1222	508 x 700	20 x 27.5	711 x 700	28 x 27.5	1981 x 700	78 x 27.5
5	Mir1273	610 x 900	24 x 35.4	914 x 900	36 x 35.4	1981 x 900	78 x 35.4

d
ACCENT BAR
 (available page no. *)
 finish/color options:
 1. Standard Mirtec anodized colors
 2. can be painted or powder coated



6.0

Jupiter / Orion Sign Family

Base Mount Stand

Mirtec Navigator Application A
 Free Standing, Pylon, Totem, Tri-Angular,
 Post Sign, Monolith, POP Display, Floor Stand

NOTES:

a

EXTRUSION finish/color options:
 are made from high quality aluminum
 6063 with an anodized or oven cured
 coating

1. clear anodized aluminum

b

INSERT OPTIONS:

1. Painting on aluminum insert w/ graphics
2. Digital output w/ acrylic cover
3. Digital printing into anodized

a aluminum by Primodize®

Extrusion finish/color options:

1. Mirtec anodized aluminum
2. Painted standard colors

3. Powder coating

PANELS

1. Plastic divider black or silver with strips of clear cover
2. Natural or anodized alum strips

c

END CAPS finish/color options:

1. clear anodized aluminum
2. aluminum end cap painted standard or custom colors

c1

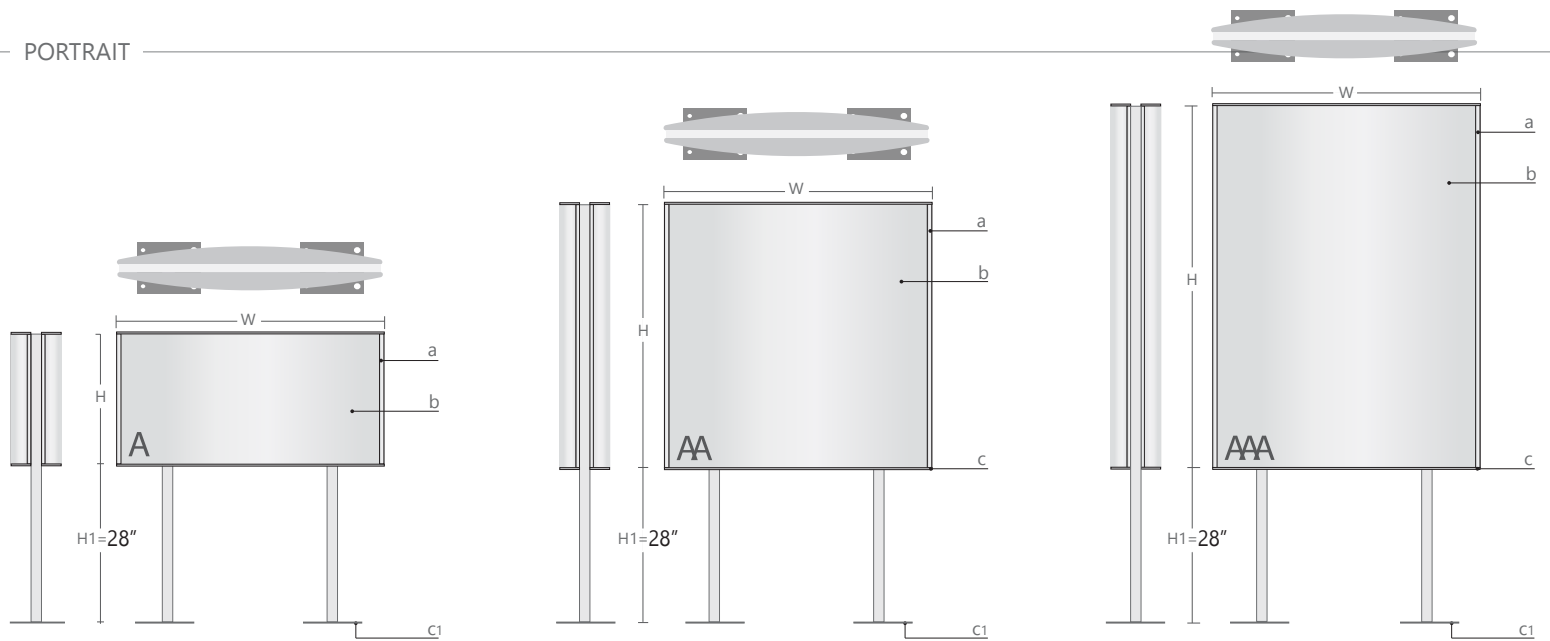
BASE:

Provided by Mirtec as painted galvanized steel w/ pre drilled holes to accept mounting screws

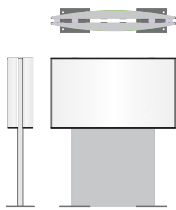
MOUNTING:

Fabricator to utilize all thread and acorn nut method for floor mounting and provide no less than (6) six mounting screws for painted black galvanized steel base. freestanding option available.





— STANDARD OPTIONS: —



Standard sizes		A		AA		AAA	
No.	Part No.	H x W		H x W		H x W	
		mm	inch	mm	inch	mm	inch
1	Mir1072	305 x 600	12 x 23.6	605 x 600	24 x 23.6	1981 x 600	78 x 23.6
2	Mir1073	356 x 900	14 x 35.4	889 x 900	39 x 35.4	1981 x 900	78 x 35.4
3	Mir1074	405 x 1000	16 x 39.3	1067 x 1000	42 x 39.3	1981 x 1000	78 x 39.3
4	Mir1075	405 x 1200	16 x 47.2	1219 x 1200	48 x 47.2	1981 x 1200	78 x 47.2

d
ACCENT BAR
 (available page no.)*
 finish/color options:
 1. Standard Mirtec anodized colors
 2. Can be painted or powder coated



6.1

Jupiter / Orion Sign Family

Pylon Post - 2 Pole

Mirtec Navigator Application A
 Free Standing, Pylon, Totem, Tri-Angular,
 Post Sign, Monolith, POP Display, Floor Stand

NOTES:

a

EXTRUSION finish/color options:
 are made from high quality aluminum
 6063 with an anodized or oven cured
 coating
 1. clear anodized aluminum

b

INSERT OPTIONS:
 1. Painting on aluminum insert w/ graphics
 2. Digital output w/ acrylic cover
 3. Digital printing into anodized
 a aluminum by Primodize®

Extrusion finish/color options:
 1. Mirtec anodized aluminum
 2. Painted standard colors
 3. Powder coating

PANELS

1. Plastic divider black or silver with
 strips of clear cover
 2. Natural or anodized alum strips

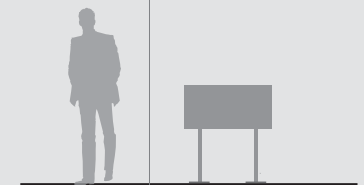
c

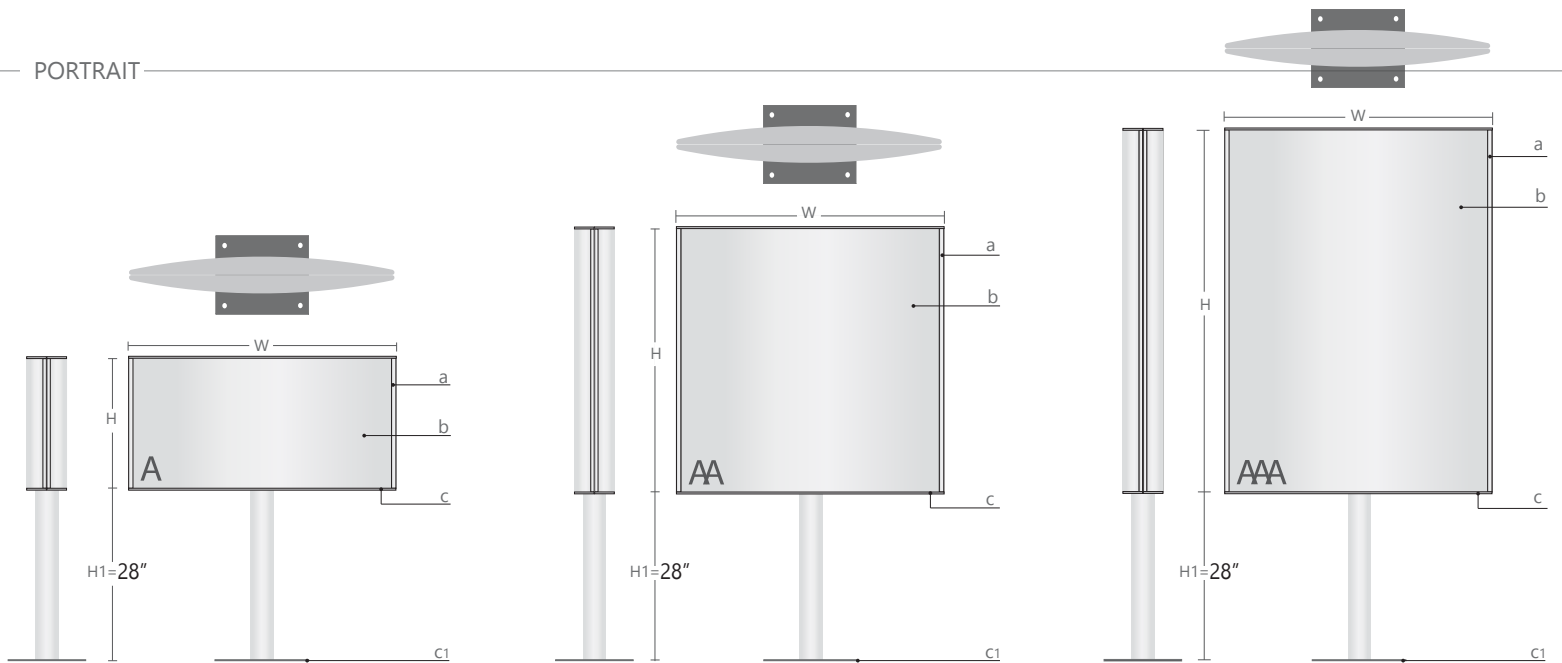
END CAPS finish/color options:
 1. clear anodized aluminum
 2. aluminum end cap painted
 standard or custom colors

c1

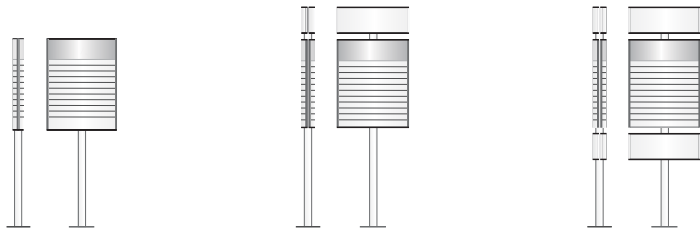
POLE & BASE:
 Provided by Mirtec as painted
 galvanized steel w/ pre drilled
 holes to accept mounting screws

MOUNTING:
 Fabricator to utilize all
 thread and acorn nut method for
 floor mounting and provide no less
 than (6) six mounting screws for
 painted black galvanized steel base.
 freestanding option available.





— STANDARD OPTIONS: —



Standard sizes	No.	Part No.	A		AA		AAA	
			H x W		H x W		H x W	
			mm	inch	mm	inch	mm	inch
	1	Mir0741P	152 x 221	6 x 8.70	221 x 221	8.70 x 8.70	280 x 221	11 x 8.70
	2	Mir1106P	203 x 300	8 x 11.8	305 x 300	12 x 11.8	406 x 300	16 x 11.8
	3	Mir1064P	254 x 400	10 x 15.7	406 x 400	16 x 15.7	508 x 400	20 x 15.7
	4	Mir0685	254 x 427	10 x 16.8	432 x 427	17 x 16.8	508 x 427	20 x 16.8
	5	Mir0686	356 x 500	14 x 19.6	508 x 500	20 x 19.6	711 x 500	28 x 19.6
	6	Mir0687	356 x 600	14 x 23.6	610 x 600	24 x 23.6	841 x 600	33 x 23.6

d
ACCENT BAR
 (available page no.*)
 finish/color options:
 1. Standard Mirtec anodized colors
 2. Can be painted or powder coated



6.2

Jupiter / Orion Sign Family

Pylon Post -1 Pole

Mirtec Navigator Application A
 Free Standing, Pylon, Totem, Tri-Angular,
 Post Sign, Monolith, POP Display, Floor Stand

NOTES:

a
 EXTRUSION finish/color options:
 are made from high quality aluminum
 6063 with an anodized or oven cured
 coating
 1. clear anodized aluminum

b
 INSERT OPTIONS:
 1. Painting on aluminum insert w/ graphics
 2. Digital output w/ acrylic cover
 3. Digital printing into anodized
 a aluminum by Primodize®

Extrusion finish/color options:
 1. Mirtec anodized aluminum
 2. Painted standard colors
 3. Powder coating

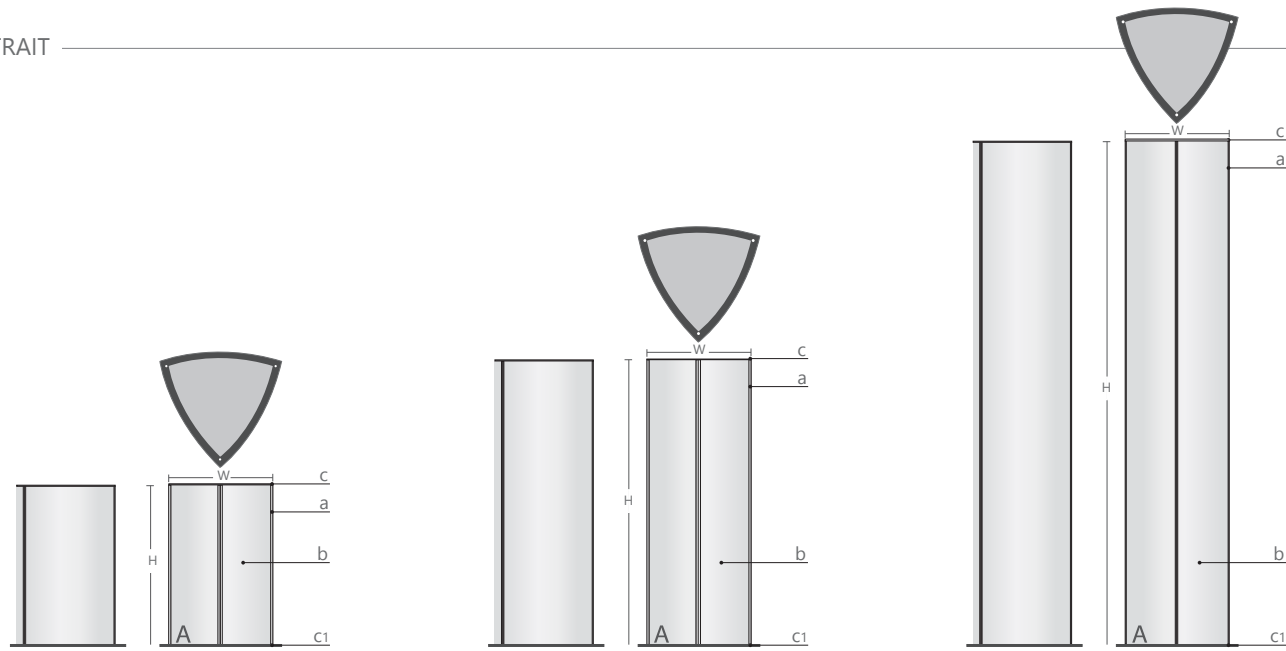
PANELS
 1. Plastic divider black or silver with
 strips of clear cover
 2. Natural or anodized alum strips

c
 END CAPS finish/color options:
 1. clear anodized aluminum
 2. aluminum end cap painted
 standard or custom colors

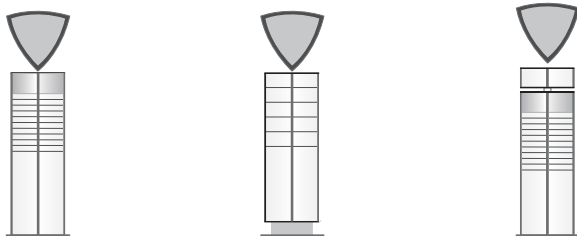
C1
 POLE & BASE:
 Provided by Mirtec as painted
 galvanized steel w/ pre drilled
 holes to accept mounting screws

MOUNTING:
 Fabricator to utilize all
 thread and acorn nut method for
 floor mounting and provide no less
 than (6) six mounting screws for
 painted black galvanized steel base.
 freestanding option available.





— STANDARD OPTIONS: —



Standard sizes	No.	Part No.	A		AA		AAA	
			H x W		H x W		H x W	
			mm	inch	mm	inch	mm	inch
	1	Mir1124	305x 400	10 x 15.7	406 x 400	16 x 15.7	1981 x 400	78 x 15.7
	2	Mir1125	355 x 500	12 x 19.6	508 x 500	20 x 19.6	1981 x 500	78 x 19.6
	3	Mir1126	406 x 600	16 x 23.6	610 x 600	24 x 23.6	1981 x 600	78 x 23.6

d
ACCENT BAR
 (available page no.*)
 finish/color options:
 1. Standard Mirtec anodized colors
 2. can be painted or powder coated



6.3

Jupiter / Orion Sign Family

Trio

Mirtec Navigator Application A
 Free Standing, Pylon, Totem, Tri-Angular,
 Post Sign, Monolith, POP Display, Floor Stand

NOTES:

a
 EXTRUSION finish/color options:
 are made from high quality aluminum
 6063 with an anodized or oven cured
 coating
 1. clear anodized aluminum

b
 INSERT OPTIONS:
 1. Painting on aluminum insert w/ graphics
 2. Digital output w/ acrylic cover
 3. Digital printing into anodized
 aluminum by Primodize®
 Extrusion finish/color options:
 1. Mirtec anodized aluminum
 2. Painted standard colors
 3. Powder coating
PANELS
 1. Plastic divider black or silver with
 strips of clear cover
 2. Natural or anodized alum strips

c
 END CAPS finish/color options:
 1. clear anodized aluminum
 2. aluminum end cap painted
 standard or custom colors

c1
BASE:
 Provided by Mirtec as painted
 galvanized steel w/ pre drilled
 holes to accept mounting screws

MOUNTING:
 Fabricator to utilize all
 thread and acorn nut method for
 floor mounting and provide no less
 than (6) six mounting screws for
 painted black galvanized steel base.
 freestanding option available.

